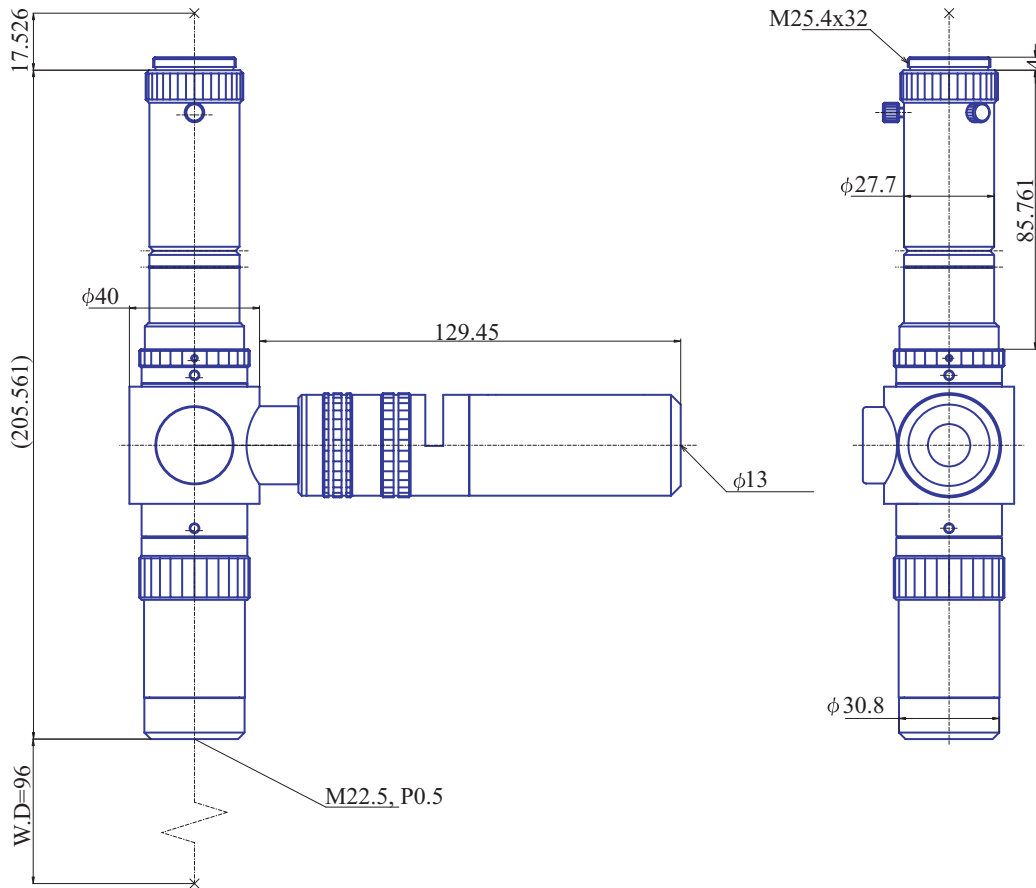


Manual Zoom Lens 2/3" Format

Item No. Z4D



ITEM NO.	Z4D
MAGNIFICATION	x0.67 - 4
W.D.	96 mm
APERTURE	-
DEPTH OF FIELD	5 - 0.3 mm
OBJECT SIZE at 1/2"	7.1 x 9.5 - 1.2 x 1.6 mm
RESOLUTION POWER(object)	15.25 - 5.59 μm
NA	0.022 - 0.06
TV DISTORTION	- %
NOTES	Coaxial

GOYO OPTICAL Inc., Japanese Office

3-8-31 HAMASAKI, ASAKA, SAITAMA 351-0033, JAPAN,
 TEL:+81-48-474-2235 FAX:+81-48-474-7373
 E-MAIL:info@goyooptical.com