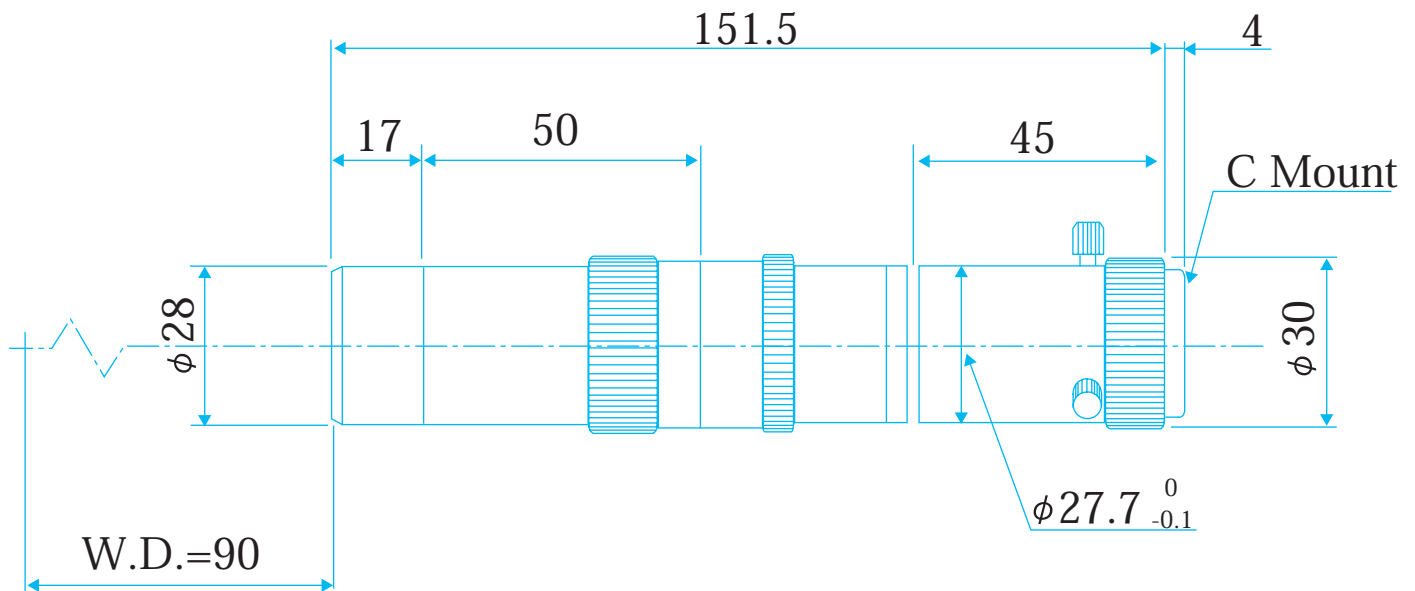


Manual Zoom Lens 2/3" Format Item No. Z2



ITEM NO.	Z2
MAGNIFICATION	x0.5 - 2.0
W.D.	90 mm
APERTURE	-
DEPTH OF FIELD	1.4 - 0.4 mm
OBJECT SIZE at 1/2"	9.6 x 12.8 - 2.4 x 3.2 mm
RESOLUTION POWER(object)	25 - 10 μ m
NA	0.021 - 0.045
TV DISTORTION	- %
NOTES	Straight

GOYO OPTICAL Inc.

Japanese Office

3-8-31 HAMAZAKI,
 ASAKA,
 SAITAMA 351-0033,
 JAPAN,
 TEL:048-474-2235
 FAX:048-474-7373
 E-MAIL:info@goyooptical.com

German Office

KURHAUSSTR,3
 ROOM N'19
 D-55543 BAD KREUZNACH
 GERMANY
 TEL:0671-4822255
 FAX:0671-43603
 E-MAIL:info@goyooptical.com