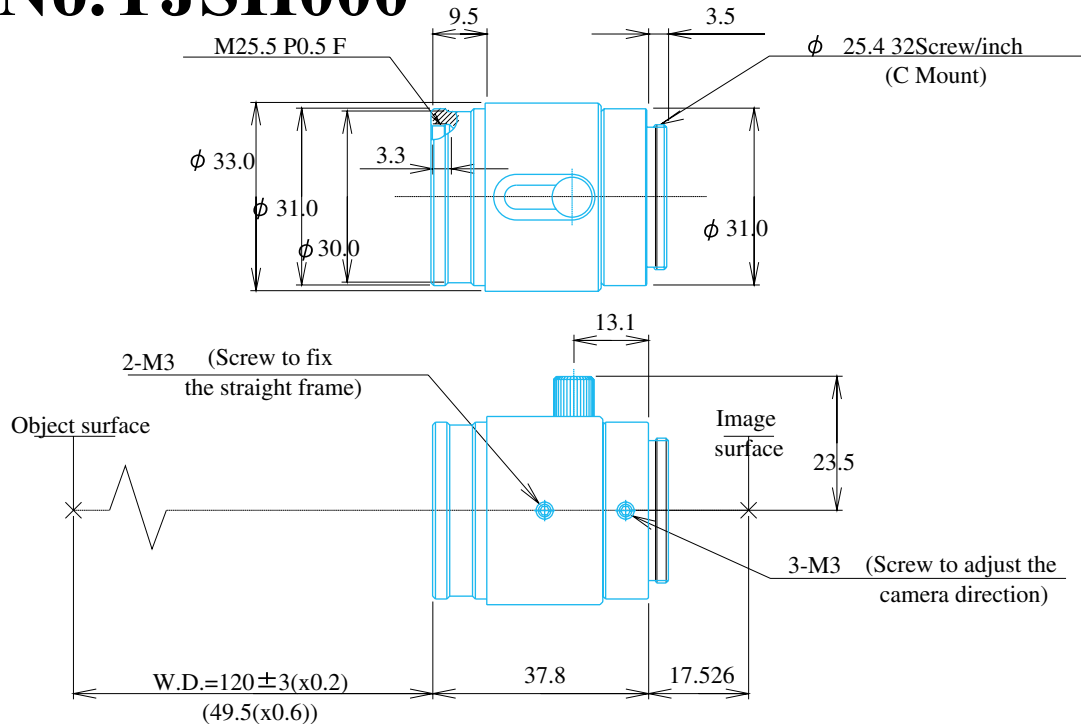


Variable Magnification Lens 2/3" Format

Item No. YJSH000



ITEM NO.	YJSH000	
W.D.	120 - 50	(mm)
MAGNIFICATION	x0.2 - 0.6	
APERTURE	-	
DEPTH OF FIELD	+/-14 (x2.00)	(mm)
OBJECT SIZE	33 x 44 - 11 x 15 (mm)	
IMAGE SIZE	6.6 x 8.8 (mm)	
RESOLUTION POWER	90 - 30	(μ m)
NA	-	(%)
TV DISTORTION	0.1	(%)
NOTES	Straight	

GOYO OPTICAL Inc.

Japanese Office

3-8-31 HAMAZAKI,
 ASAKA,
 SAITAMA 351-0033,
 JAPAN,
 TEL:048-474-2235
 FAX:048-474-7373
 E-MAIL:info@goyooptical.com

German Office

KURHAUSSTR,3
 ROOM N'19
 D-55543 BAD KREUZNACH
 GERMANY
 TEL:0671-4822255
 FAX:0671-43603
 E-MAIL:info@goyooptical.com