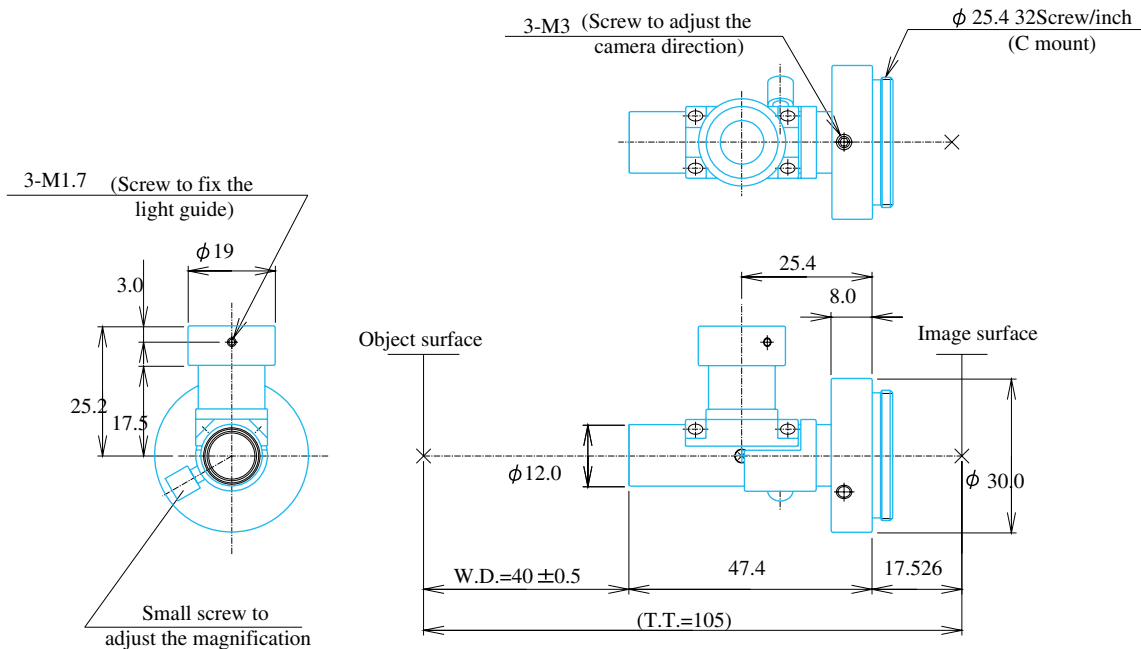


### Variable Magnification Lens 1/2" Format

### Item No.MRM2000



ITEM NO.	MRM2000	
W.D.	40 - 34	(mm)
MAGNIFICATION	x3.0 - 3.5	
APERTURE	F19 - F22	
DEPTH OF FIELD	+/-0.10 ( x3.00)	(mm)
OBJECT SIZE	1.6 x 2.1 - 1.4 x 1.8	(mm)
IMAGE SIZE	4.8 x 6.4	(mm)
RESOLUTION POWER	5 - 4	( $\mu$ m)
NA	0.079	(%)
TV DISTORTION	0.2	(%)
NOTES	Coaxial , Telecentric Lens	

### **GOYO OPTICAL Inc.**

#### **Japanese Office**

3-8-31 HAMAZAKI,  
 ASAKA,  
 SAITAMA 351-0033,  
 JAPAN,  
 TEL:048-474-2235  
 FAX:048-474-7373  
 E-MAIL:info@goyooptical.com

#### **German Office**

KURHAUSSTR,3  
 ROOM N'19  
 D-55543 BAD KREUZNACH  
 GERMANY  
 TEL:0671-4822255  
 FAX:0671-43603  
 E-MAIL:info@goyooptical.com