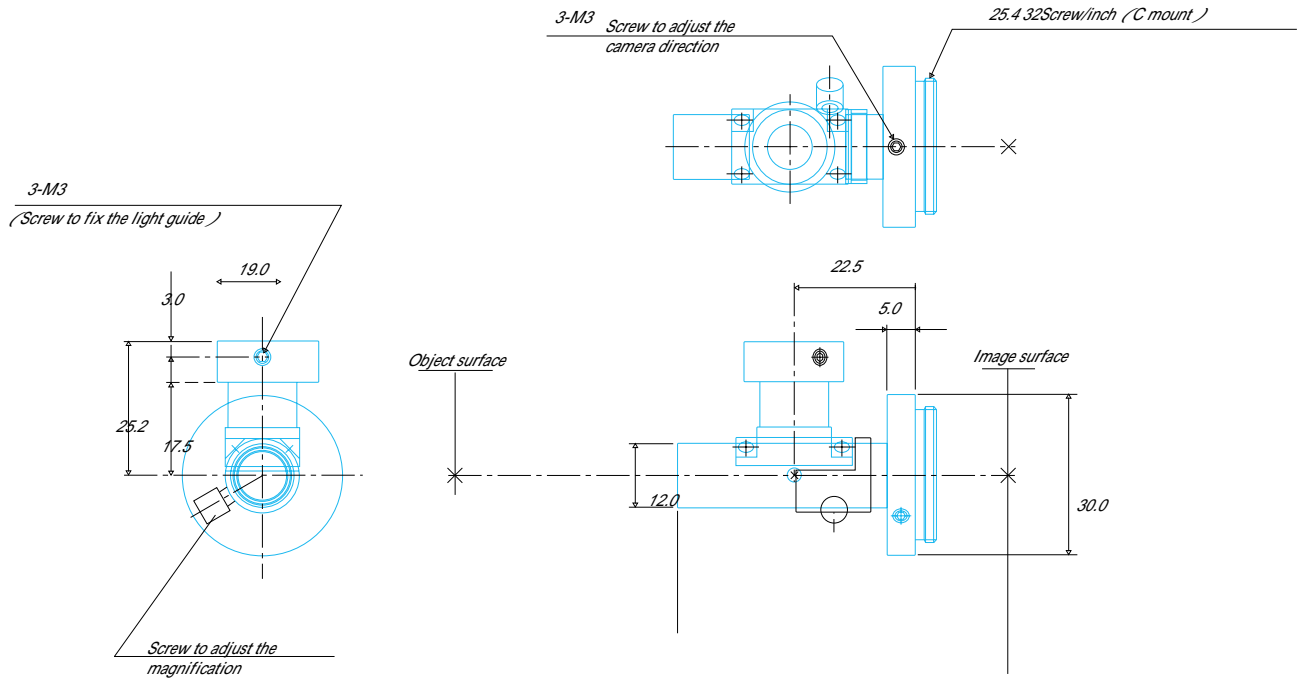


Variable Magnification Lens 2/3" Format

Item No.MRK2000



ITEM NO.	MRK2000
W.D.	43 - 36 (mm)
MAGNIFICATION	x1.5 - 1.9
APERTURE	F17 - F21
DEPTH OF FIELD	+/-0.35 (x1.50) (mm)
OBJECT SIZE	3.2 x 4.3 - 2.5 x 3.4 (mm)
IMAGE SIZE	4.8 x 6.4 (mm)
RESOLUTION POWER	9 - 7 (μ m)
NA	0.045 (%)
TV DISTORTION	0.2 (%)
NOTES	Coaxial , Telecentric Lens

GOYO OPTICAL Inc.

Japanese Office

3-8-31 HAMAZAKI,
 ASAKA,
 SAITAMA 351-0033,
 JAPAN,
 TEL:048-474-2235
 FAX:048-474-7373
 E-MAIL:info@goyooptical.com

German Office

KURHAUSSTR,3
 ROOM N'19
 D-55543 BAD KREUZNACH
 GERMANY
 TEL:0671-4822255
 FAX:0671-43603
 E-MAIL:info@goyooptical.com