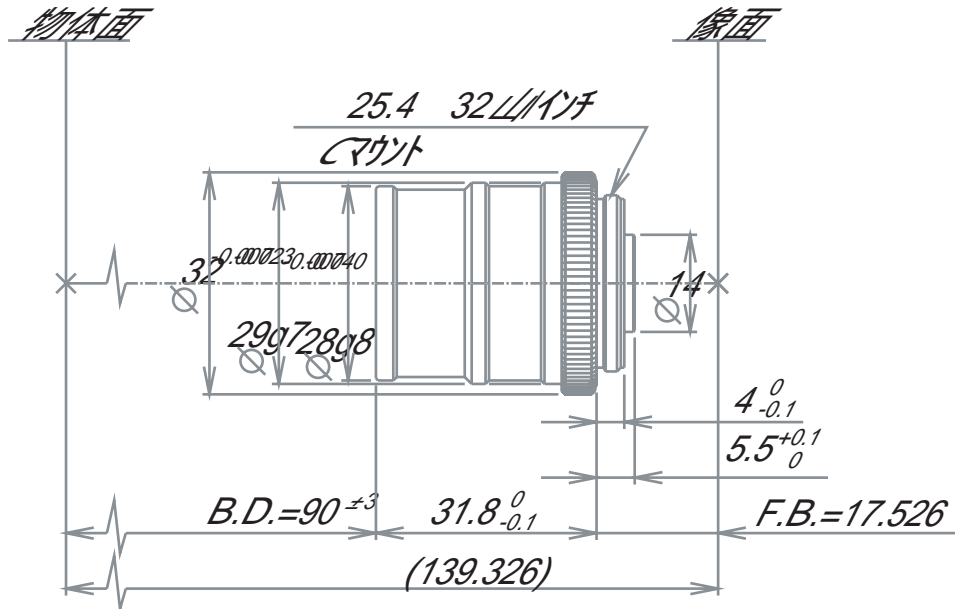


Fixed Magnification Lens 90mm(W.D.),2/3" Format

Item No.YRJ5000



ITEM NO.		YRJ5000	
MAGNIFICATION		x0.14	
W.D.		90	(mm)
APERTURE		-	
DEPTH OF FIELD		+/-5.0	(mm)
OBJECT SIZE		47 x 63	(mm)
IMAGE SIZE		6.6 x 8.8	(mm)
RESOLUTION POWER		130	(μ m)
NA		0.011	(%)
TV DISTORTION		0.1	(%)
FIELD OF VIEW	1/2"	-	(mm)
	1/3"	-	(mm)
	1/4"	-	(mm)
NOTES		-	

GOYO OPTICAL Inc.

Japanese Office

3-8-31 HAMAZAKI,
 ASAKA,
 SAITAMA 351-0033,
 JAPAN,
 TEL:048-474-2235
 FAX:048-474-7373
 E-MAIL:info@goyooptical.com

German Office

KURHAUSSTR,3
 ROOM N'19
 D-55543 BAD KREUZNACH
 GERMANY
 TEL:0671-4822255
 FAX:0671-43603
 E-MAIL:info@goyooptical.com