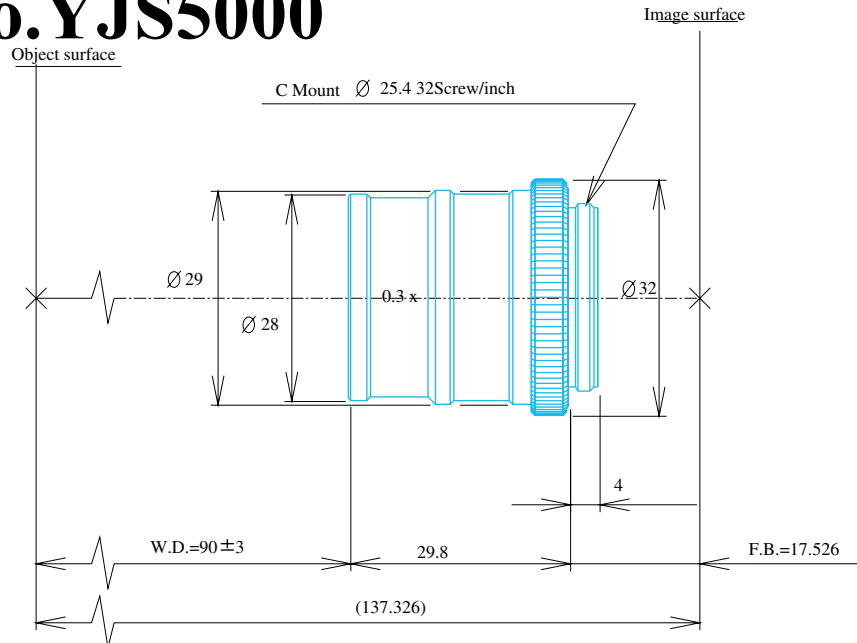


### Fixed Magnification Lens 90mm(W.D.),2/3" Format

### Item No.YJS5000



ITEM NO.		YJS5000	
MAGNIFICATION		x0.30	
W.D.		90	(mm)
APERTURE		F4.6	
DEPTH OF FIELD		+/-1.2	(mm)
OBJECT SIZE		22 x 29	(mm)
IMAGE SIZE		6.6 x 8.8	(mm)
RESOLUTION POWER		60	( $\mu$ m)
NA		0.021	(%)
TV DISTORTION		0.1	(%)
FIELD OF VIEW	1/2"	-	(mm)
	1/3"	-	(mm)
	1/4"	-	(mm)
NOTES		Straight	

### GOYO OPTICAL Inc.

#### Japanese Office

3-8-31 HAMAZAKI,  
 ASAKA,  
 SAITAMA 351-0033,  
 JAPAN,  
 TEL:048-474-2235  
 FAX:048-474-7373  
 E-MAIL:info@goyooptical.com

#### German Office

KURHAUSSTR,3  
 ROOM N°19  
 D-55543 BAD KREUZNACH  
 GERMANY  
 TEL:0671-4822255  
 FAX:0671-43603  
 E-MAIL:info@goyooptical.com