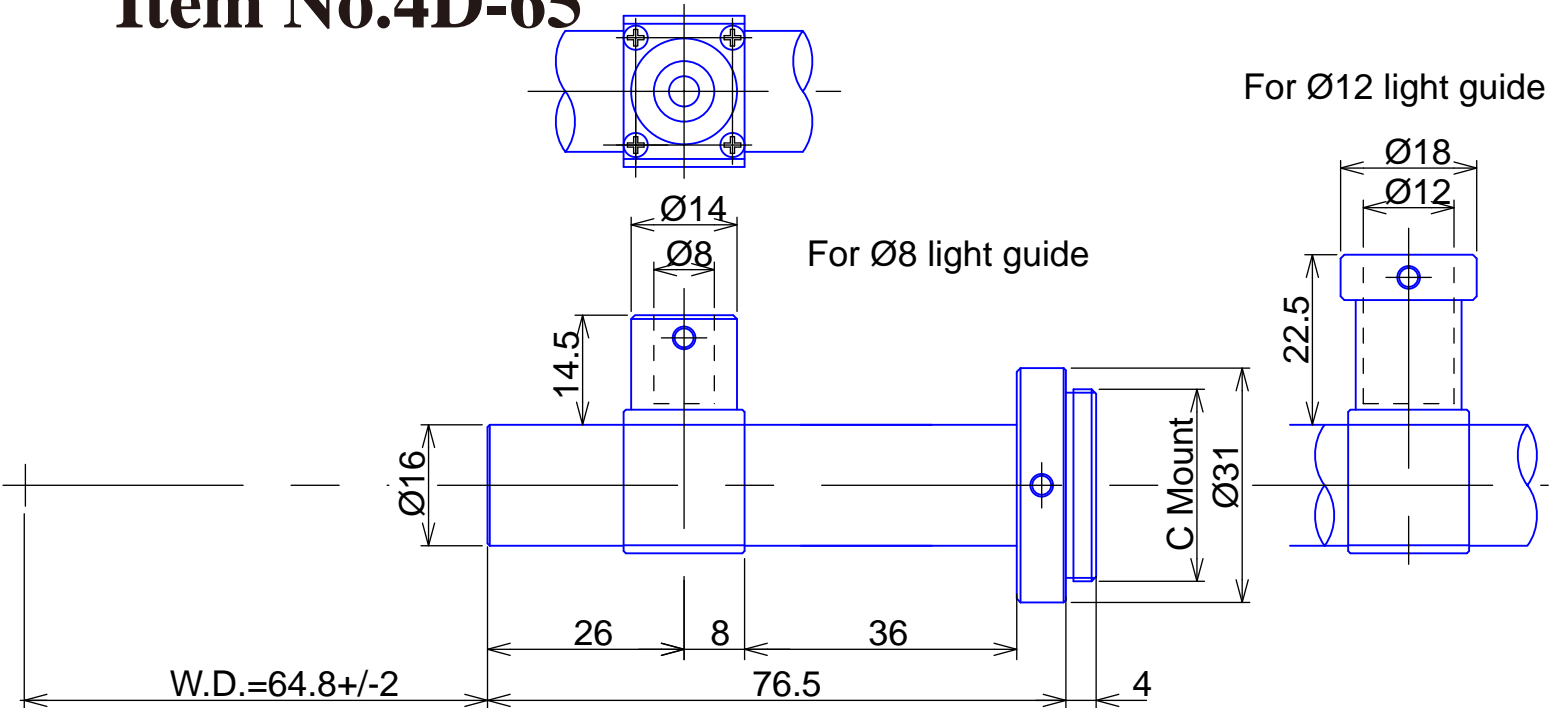


Fixed Magnification Lens 65mm(W.D.) 2/3" Format

Item No.4D-65

ITEM NO.		4D-65	
MAGNIFICATION		x4.00	
W.D.		64.8	(mm)
APERTURE		F26.8	
DEPTH OF FIELD		130	(um)
OBJECT SIZE		-	(mm)
IMAGE SIZE		-	(mm)
RESOLUTION POWER		4.6	(um)
NA		0.073	
TV DISTORTION		0.06	(%)
FIELD OF VIEW	1/2"	1.2 x 1.6	(mm)
	1/3"	0.9 x 1.2	(mm)
	1/4"	0.68 x 0.9	(mm)
NOTES		Coaxial	

GOYO OPTICAL Inc.,

3-8-31 HAMASAKI, ASAKA, SAITAMA 351-0033, JAPAN,
 TEL:+81-48-474-2235 FAX:+81-48-474-7373
<http://www.gyooptical.com> E-MAIL:info@gyooptical.com