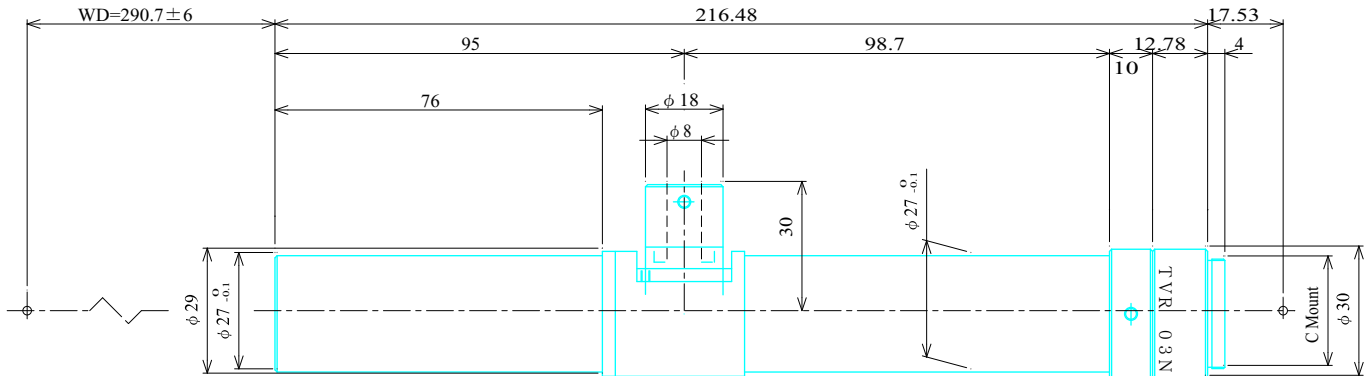


Fixed Magnification Lens 290mm(W.D.) 1/2" Format

Item No.3D-290



ITEM NO.		3D-290	
MAGNIFICATION		x3.00	
W.D.		290	(mm)
APERTURE		F43	
DEPTH OF FIELD		0.41	(mm)
OBJECT SIZE		1.6 x 2.1 (mm)	
IMAGE SIZE		-	
RESOLUTION POWER		9.6	(μm)
NA		0.035	(%)
TV DISTORTION		0.15	(%)
FIELD OF VIEW	1/2"	-	(mm)
	1/3"	-	(mm)
	1/4"	-	(mm)
NOTES		Coaxial	

GOYO OPTICAL Inc.

Japanese Office

3-8-31 HAMAZAKI,
 ASAKA,
 SAITAMA 351-0033,
 JAPAN,
 TEL:048-474-2235
 FAX:048-474-7373
 E-MAIL:info@goyooptical.com

German Office

KURHAUSSTR,3
 ROOM N'19
 D-55543 BAD KREUZNACH
 GERMANY
 TEL:0671-4822255
 FAX:0671-43603
 E-MAIL:info@goyooptical.com