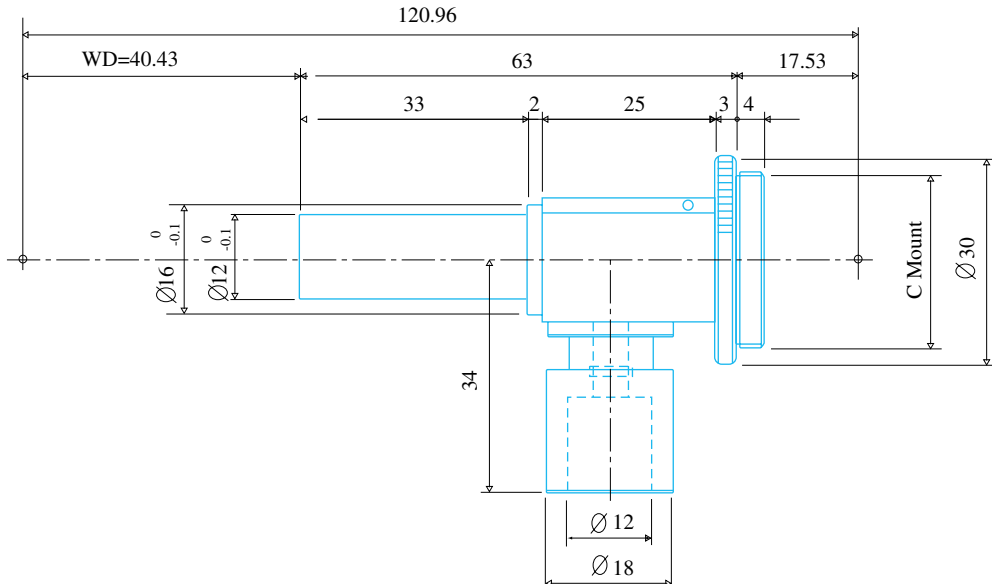


### Fixed Magnification Lens 40mm(W.D.) 1/2" Format

### Item No.2D-40



ITEM NO.		2D-40	
MAGNIFICATION		x2.00	
W.D.		40	(mm)
APERTURE		-	
DEPTH OF FIELD		0.3	(mm)
OBJECT SIZE		-	
IMAGE SIZE		-	
RESOLUTION POWER		7.0	( $\mu$ m)
NA		0.050	(%)
TV DISTORTION		0.01	(%)
FIELD OF VIEW	1/2"	2.4 x 3.2	(mm)
	1/3"	1.8 x 2.4	(mm)
	1/4"	1.4 x 1.8	(mm)
NOTES		Coaxial	

### GOYO OPTICAL Inc.

#### Japanese Office

3-8-31 HAMAZAKI,  
 ASAKA,  
 SAITAMA 351-0033,  
 JAPAN,  
 TEL:048-474-2235  
 FAX:048-474-7373  
 E-MAIL:info@goyooptical.com

#### German Office

KURHAUSSTR,3  
 ROOM N°19  
 D-55543 BAD KREUZNACH  
 GERMANY  
 TEL:0671-4822255  
 FAX:0671-43603  
 E-MAIL:info@goyooptical.com