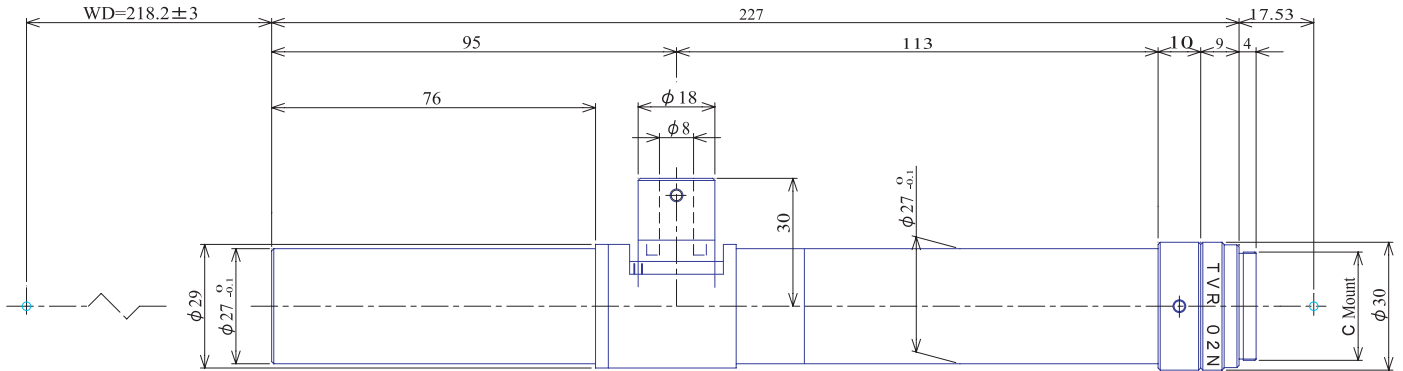


Fixed Magnification Lens 220mm(W.D.) 1/2" Format

Item No.2D-220



ITEM NO.		2D-220	
MAGNIFICATION		x2.00	
W.D.		220	(mm)
APERTURE		F33	
DEPTH OF FIELD		0.67	(mm)
OBJECT SIZE		2.4 x 3.2	(mm)
IMAGE SIZE		-	(mm)
RESOLUTION POWER		11.0	($^{\circ}$ m)
NA		0.03	(%)
TV DISTORTION		0.1	(%)
FIELD OF VIEW	1/2"	-	(mm)
	1/3"	-	(mm)
	1/4"	-	(mm)
NOTES		Coaxial	

GOYO OPTICAL Inc.

Japanese Office

3-8-31 HAMAZAKI,
 ASAKA,
 SAITAMA 351-0033,
 JAPAN,
 TEL:048-474-2235
 FAX:048-474-7373
 E-MAIL:info@goyooptical.com

German Office

KURHAUSSTR,3
 ROOM N'19
 D-55543 BAD KREUZNACH
 GERMANY
 TEL:0671-4822255
 FAX:0671-43603
 E-MAIL:info@goyooptical.com