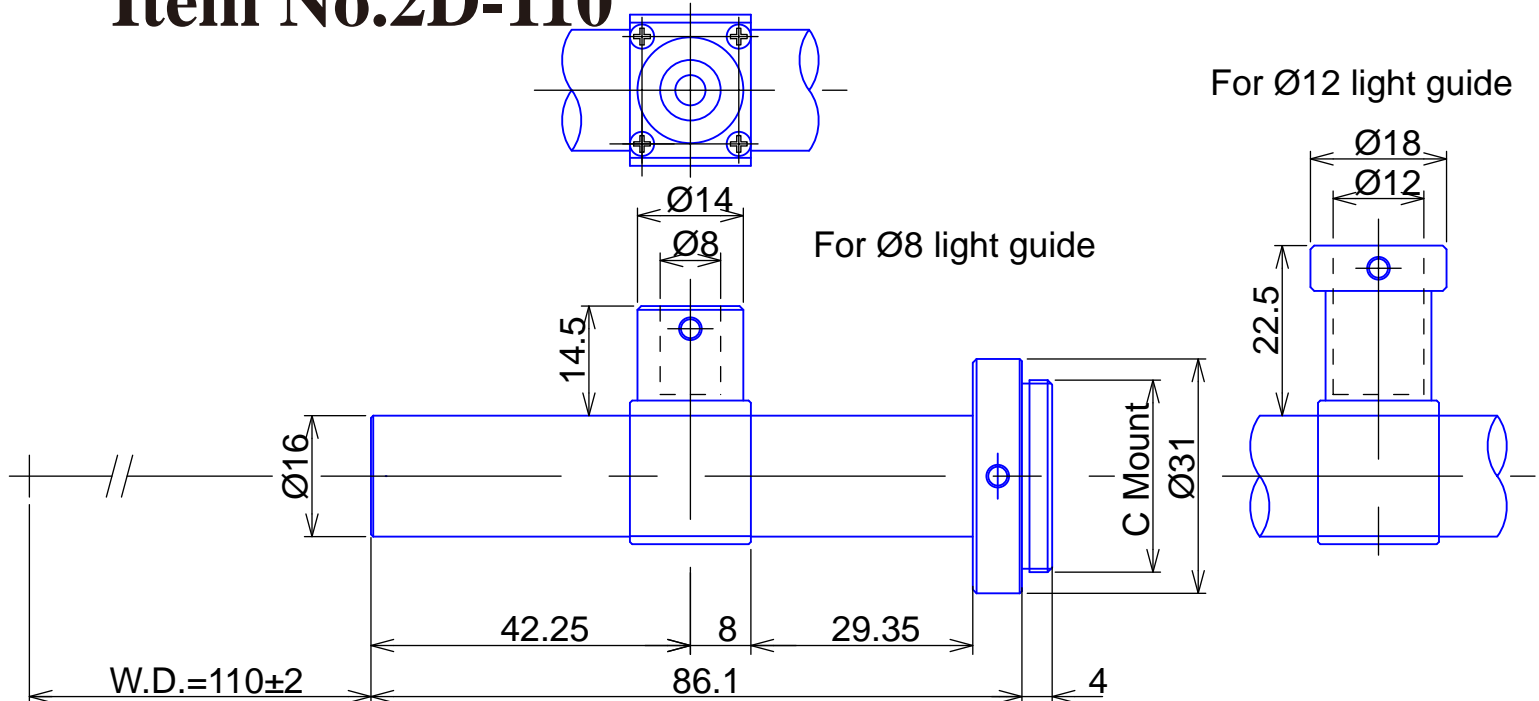


Fixed Magnification Lens 110mm(W.D.) 2/3" Format

Item No.2D-110



ITEM NO.		2D-110	
MAGNIFICATION		x2.0	
W.D.		110	(mm)
APERTURE		F24.6	
DEPTH OF FIELD		490	(um)
OBJECT SIZE		-	(mm)
IMAGE SIZE		-	(mm)
RESOLUTION POWER		8.4	(um)
NA		0.04	
TV DISTORTION		-0.03	(%)
FIELD OF VIEW	1/2"	2.4 x 3.2	(mm)
	1/3"	1.8 x 2.4	(mm)
	1/4"	1.4 x 1.8	(mm)
NOTES		Coaxial	

GOYO OPTICAL Inc.,

3-8-31 HAMASAKI, ASAKA, SAITAMA 351-0033, JAPAN,
 TEL:+81-48-474-2235 FAX:+81-48-474-7373
<http://www.gyooptical.com> E-MAIL:info@gyooptical.com