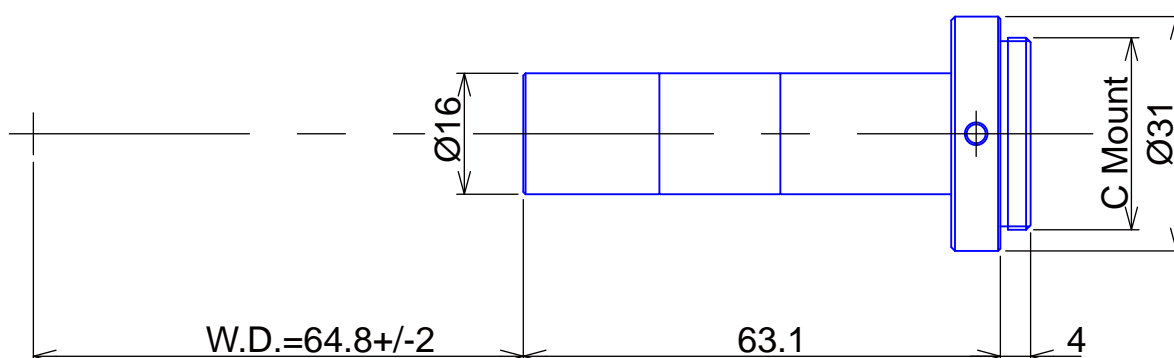


Fixed Magnification Lens 65mm(W.D.) 2/3" Format

Item No.2-65



ITEM NO.		2-65	
MAGNIFICATION		x2.00	
W.D.		64.8	(mm)
APERTURE		F15	
DEPTH OF FIELD		300	(um)
OBJECT SIZE		-	(mm)
IMAGE SIZE		-	(mm)
RESOLUTION POWER		5.1	(um)
NA		0.066	
TV DISTORTION		-0.03	(%)
FIELD OF VIEW	1/2"	2.4 x 3.2	(mm)
	1/3"	1.8 x 2.4	(mm)
	1/4"	1.4 x 1.8	(mm)
NOTES		Straight	

GOYO OPTICAL Inc.,

3-8-31 HAMASAKI, ASAKA, SAITAMA 351-0033, JAPAN,
 TEL:+81-48-474-2235 FAX:+81-48-474-7373
<http://www.gyooptical.com> E-MAIL:info@gyooptical.com