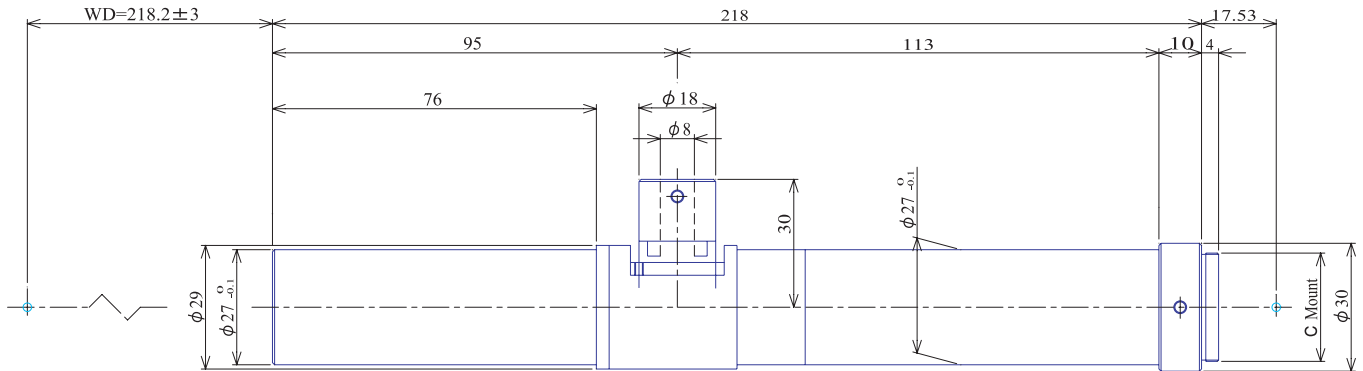


### Fixed Magnification Lens 220mm(W.D.) 1/2" Format

### Item No.1D-220



ITEM NO.		1D-220	
MAGNIFICATION		x1.00	
W.D.		220	(mm)
APERTURE		F20	
DEPTH OF FIELD		1.24	(mm)
OBJECT SIZE		4.8 x 6.4	(mm)
IMAGE SIZE		-	(mm)
RESOLUTION POWER		14.0	( $^{\circ}$ m)
NA		0.025	(%)
TV DISTORTION		0.1	(%)
FIELD OF VIEW	1/2"	-	(mm)
	1/3"	-	(mm)
	1/4"	-	(mm)
NOTES		Coaxial	

### GOYO OPTICAL Inc.

#### Japanese Office

3-8-31 HAMAZAKI,  
 ASAKA,  
 SAITAMA 351-0033,  
 JAPAN,  
 TEL:048-474-2235  
 FAX:048-474-7373  
 E-MAIL:info@goyooptical.com

#### German Office

KURHAUSSTR,3  
 ROOM N'19  
 D-55543 BAD KREUZNACH  
 GERMANY  
 TEL:0671-4822255  
 FAX:0671-43603  
 E-MAIL:info@goyooptical.com