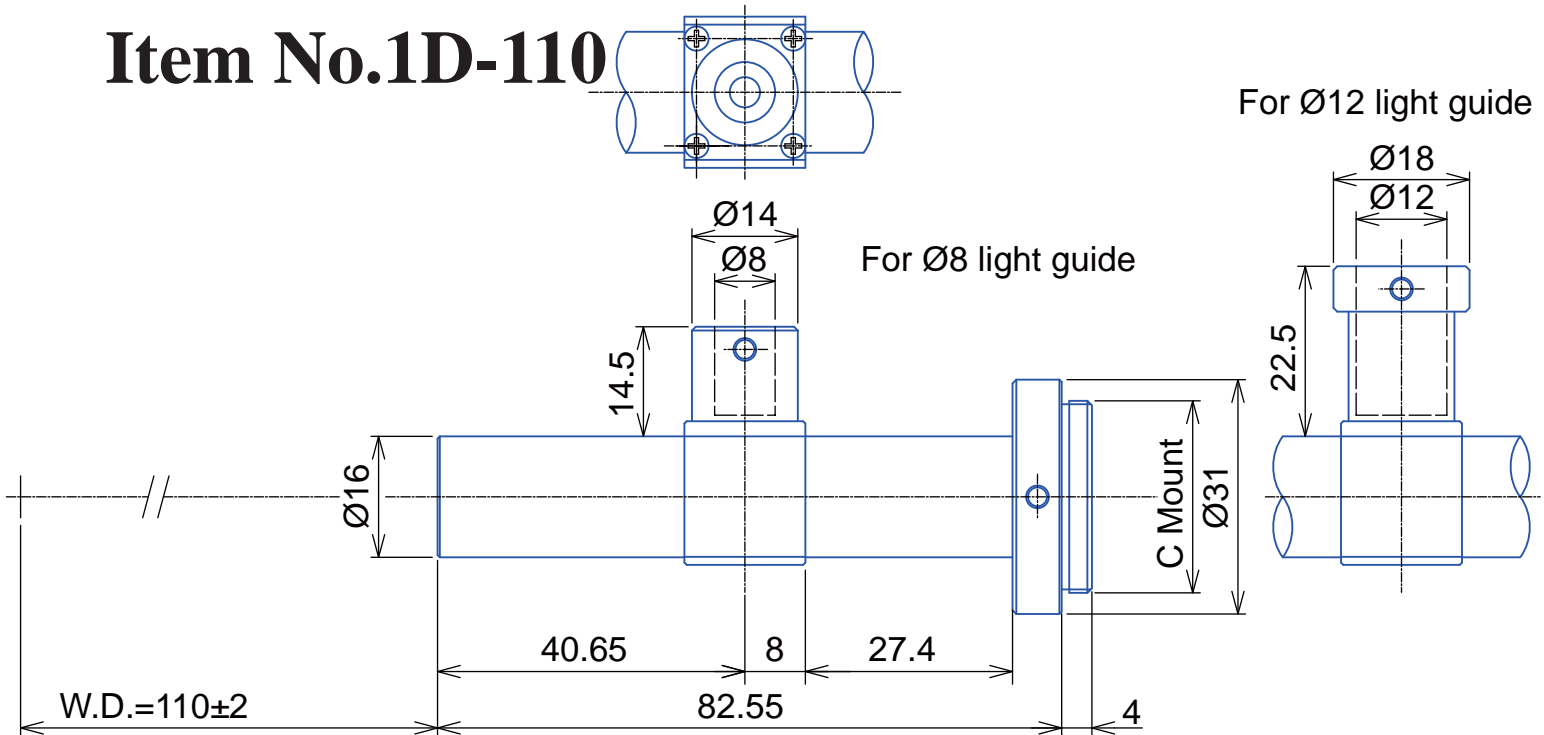


Fixed Magnification Lens 110mm(W.D.) 1/2" Format

Item No.1D-110

ITEM NO.		1D-110	
MAGNIFICATION		x1.0	
W.D.		110	(mm)
APERTURE		F20	
DEPTH OF FIELD		1600	(um)
OBJECT SIZE		4.8 x 6.4	(mm)
IMAGE SIZE		-	(mm)
RESOLUTION POWER		13.4	(um)
NA		0.025	
TV DISTORTION		0.06	(%)
FIELD OF VIEW	1/2"	4.8 x 6.4	(mm)
	1/3"	3.6 x 4.8	(mm)
	1/4"	2.7 x 3.6	(mm)
NOTES		Coaxial	

GOYO OPTICAL Inc.,

3-8-31 HAMASAKI, ASAKA, SAITAMA 351-0033, JAPAN,
 TEL:+81-48-474-2235 FAX:+81-48-474-7373
<http://www.gyooptical.com> E-MAIL:info@gyooptical.com