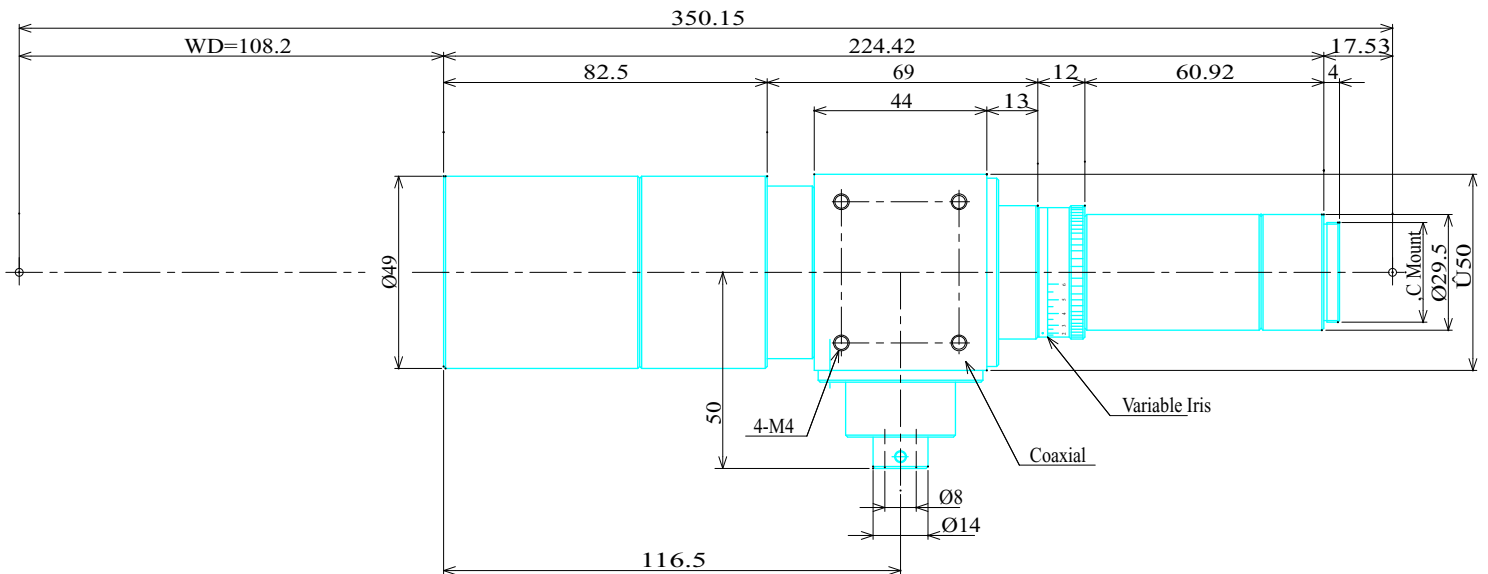


Telecentric Lenses For The Megapixel Cameras

Item No.03DTMP



ITEM NO.	03DTMP
MAGNIFICATION	X0.3
W.D. (mm)	108 (mm)
APERTURE	8-40
DEPTH OF FIELD(mm)	3.7 (mm)
OBJECT SIZE (mm)	22 x 29 (mm)
RESOLUTION POWER (μ m)	20
NA	0.0165
TV DISTORTION (Less Than)	+0.008
NOTES	Coaxial

GOYO OPTICAL Inc.

Japanese Office

3-8-31 HAMAZAKI,
ASAKA,
SAITAMA 351-0033,
JAPAN,
TEL:048-474-2235
FAX:048-474-7373
E-MAIL:info@goyooptical.com

German Office

KURHAUSSTR,3
ROOM N'19
D-55543 BAD KREUZNACH
GERMANY
TEL:0671-4822255
FAX:0671-43603
E-MAIL:info@goyooptical.com