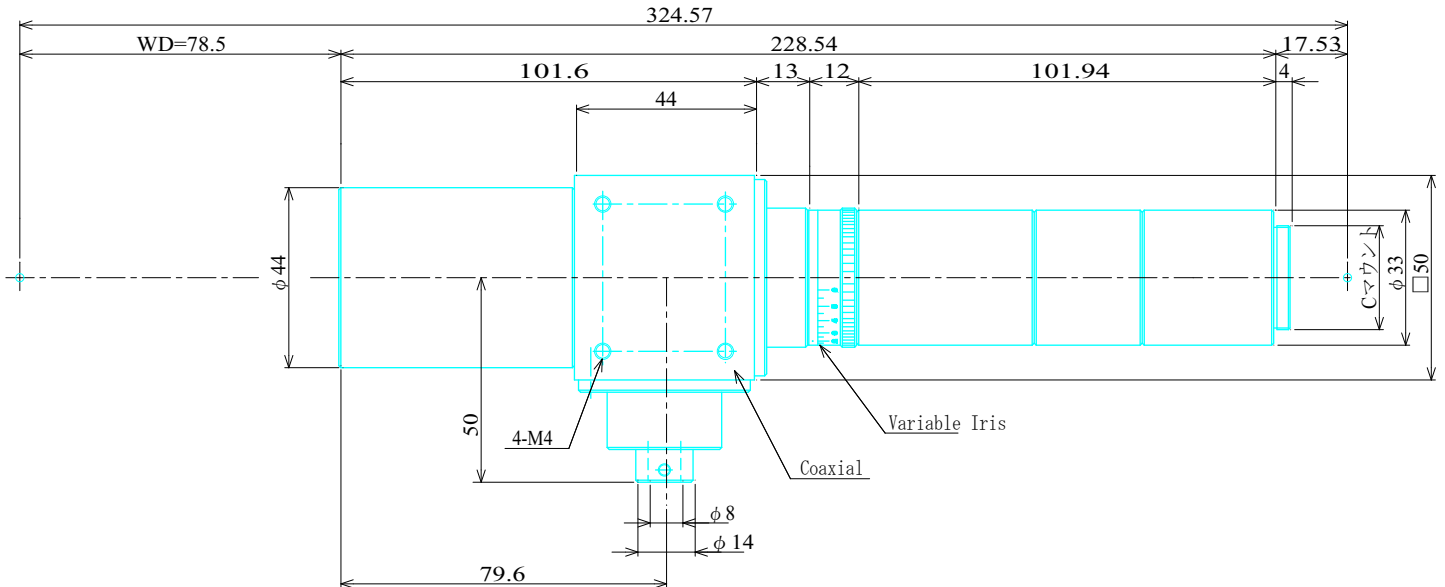


### Telecentric Lenses For 1.1 Inch Megapixel Cameras Item No.06DT5MP



ITEM NO.	06DT5MP
MAGNIFICATION	X0.6
W.D. (mm)	78 (mm)
APERTURE	F12 - 60
DEPTH OF FIELD(mm)	1.3 (mm)
OBJECT SIZE (mm)	15 x 21 at 1 inch CCD (mm)
RESOLUTION POWER ( $\mu$ m)	13.5 ( $\mu$ m)
NA	0.025
TV DISTORTION (Less Than)	-0.015 %
NOTES	Coaxial

### **GOYO OPTICAL Inc.**

#### Japanese Office

3-8-31 HAMAZAKI,  
 ASAKA,  
 SAITAMA 351-0033,  
 JAPAN,  
 TEL:048-474-2235  
 FAX:048-474-7373  
 E-MAIL:info@goyooptical.com

#### German Office

KURHAUSSTR,3  
 ROOM N'19  
 D-55543 BAD KREUZNACH  
 GERMANY  
 TEL:0671-4822255  
 FAX:0671-43603  
 E-MAIL:info@goyooptical.com