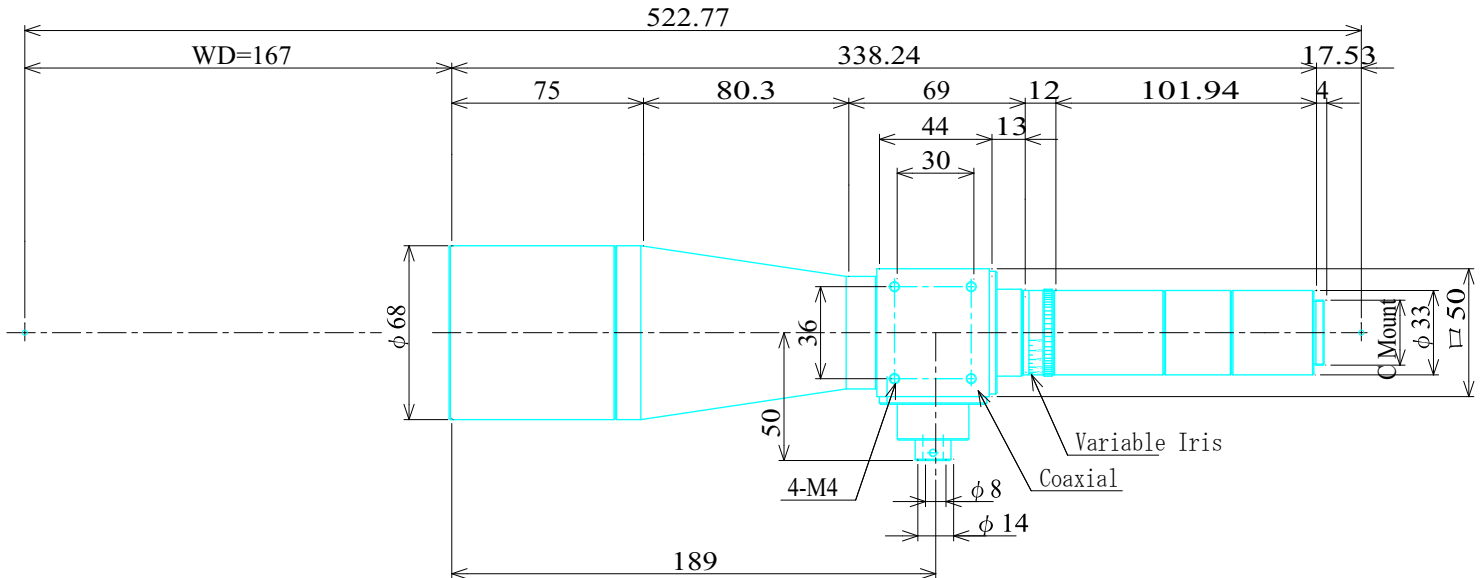


Telecentric Lenses For 1.1 Inch Megapixel Cameras Item No.03DT5MP



ITEM NO.	03DT5MP
MAGNIFICATION	X0.3
W.D. (mm)	167 (mm)
APERTURE	F12 - 60
DEPTH OF FIELD(mm)	5 (mm)
OBJECT SIZE (mm)	31x42 at 1 inch CCD (mm)
RESOLUTION POWER (μ m)	27 (μ m)
NA	0.0125
TV DISTORTION (Less Than)	+0.012 %
NOTES	Coaxial

GOYO OPTICAL Inc.

Japanese Office

3-8-31 HAMAZAKI,
 ASAKA,
 SAITAMA 351-0033,
 JAPAN,
 TEL:048-474-2235
 FAX:048-474-7373
 E-MAIL:info@goyooptical.com

German Office

KURHAUSSTR,3
 ROOM N'19
 D-55543 BAD KREUZNACH
 GERMANY
 TEL:0671-4822255
 FAX:0671-43603
 E-MAIL:info@goyooptical.com