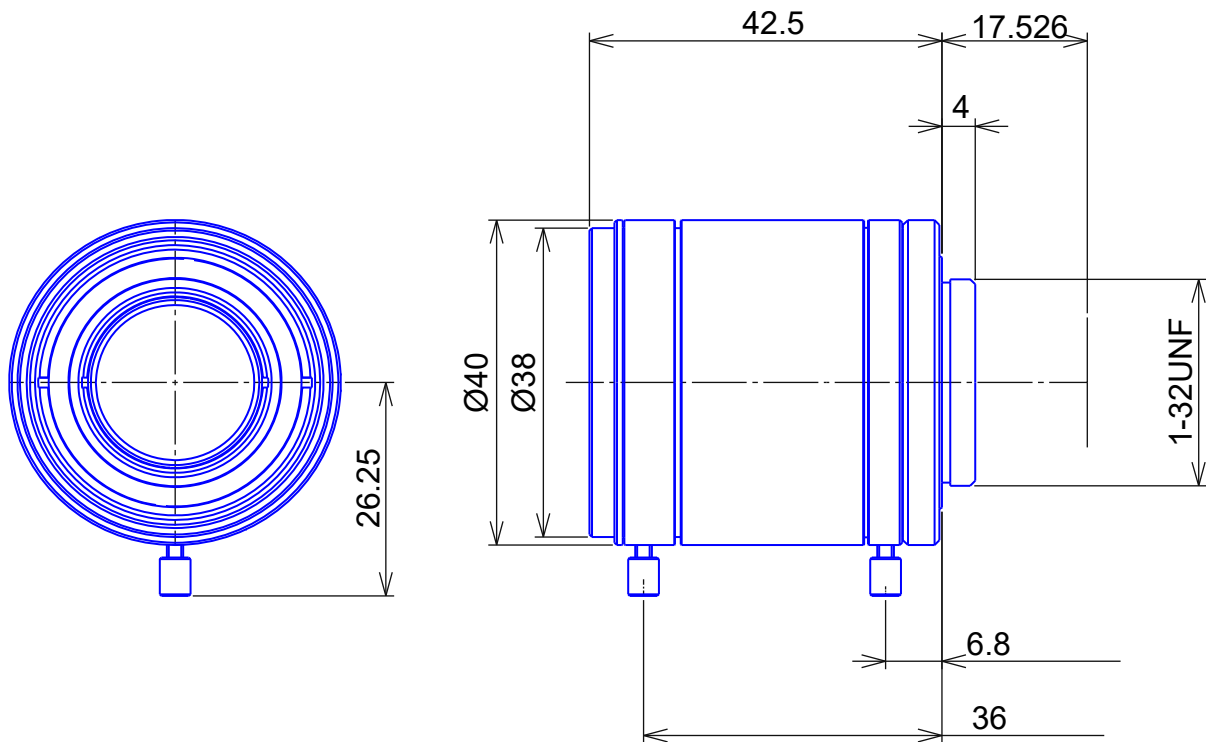


**1inch Format High Resolution Lenses****Item No. GMTHR42514MCN**

| ITEM NO.                     |    | GMTHR42514MCN       |
|------------------------------|----|---------------------|
| Focal Length                 |    | 25.0 (mm)           |
| Iris Range                   |    | F1.4 - 22           |
| Angle of View<br>(H x V x D) | 1" | 29° x 21.9° x 36.1° |
| MOD                          |    | 0.3 (m)             |
| Filter Thread                |    | M=35.5, P=0.5       |
| Dimension (D x L)            |    | Ø40 x 42.5 (mm)     |
| Weight                       |    | 225 (g)             |
| Notes                        |    | 5megapixel          |