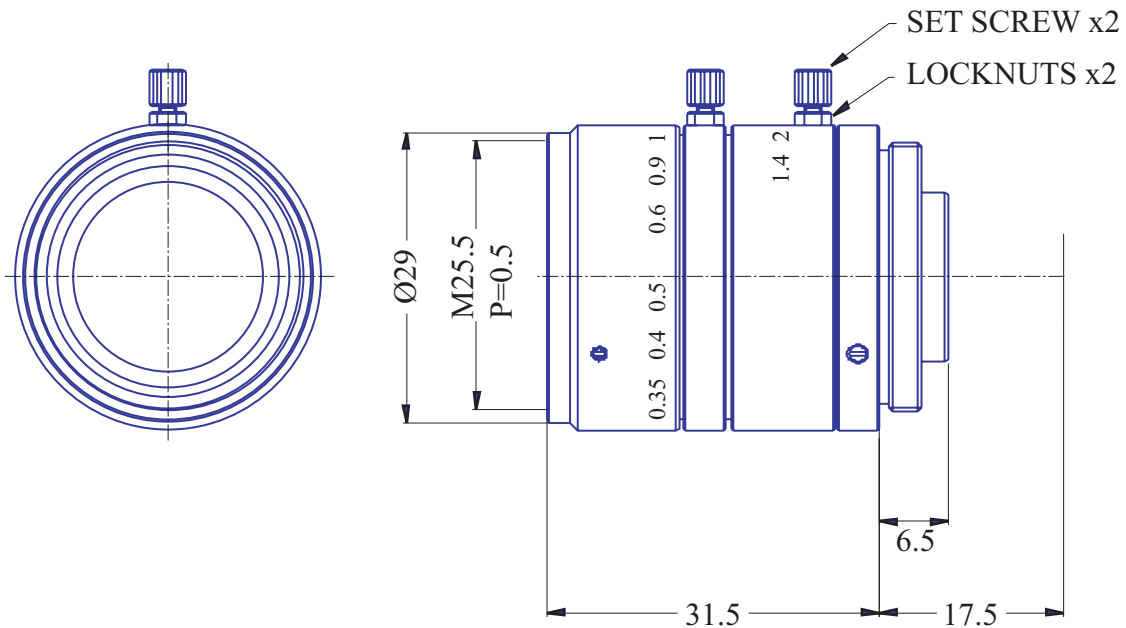


High Resolution Lenses**Item No. GMTHR21614MCN**

ITEM NO.	GMTHR21614MCN
Focal Length	16 (mm)
Iris Range	F1.4 - 16
Angle of View (H x V x D) 1/2"	Ø8.8 24° x 18° x 29.7°
MOD	0.3 (m)
Filter Thread	M=25.5 , P=0.5
Dimension (D x L)	Ø29 x 31.5 (mm)
Weight	50 (g)