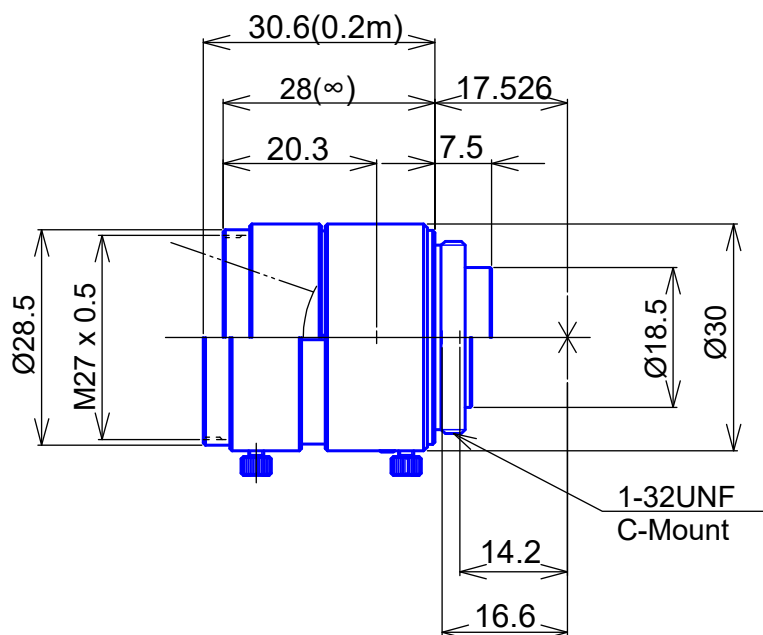


Manual Lenses

Item No. GMN31614MCN-2

ITEM NO.		GMN31614MCN-2
Focal Length		16 (mm)
Iris Range		F1.4 - 16
Angle of View (H x V x D)	1/2"	22.2° x 16.6° x 27.7°
	2/3"	30.5° x 22.8° x 38.3°
MOD		0.2 (m)
Filter Thread		M=27, P=0.5
Dimension (D x L)		Ø30 x 30.6 (mm)
Weight		55 (g)
Notes		-