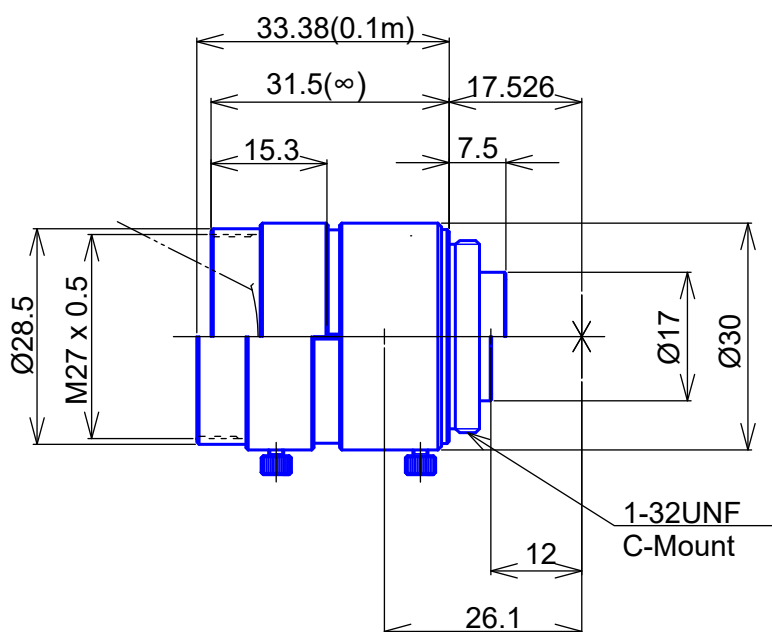


## Manual Lenses

**Item No. GMN31214MCN-2**

ITEM NO.		GMN31214MCN-2
Focal Length		12 (mm)
Iris Range		F1.4 - 16
Angle of View (H x V x D)	1/2"	30.7° x 23.0° x 38.6°
	2/3"	42.5° x 31.7° x 53.7°
MOD		0.1 (m)
Filter Thread		M=27 , P=0.5
Dimension ( D x L )		Ø30 x 33.4 (mm)
Weight		60 (g)
Notes		-