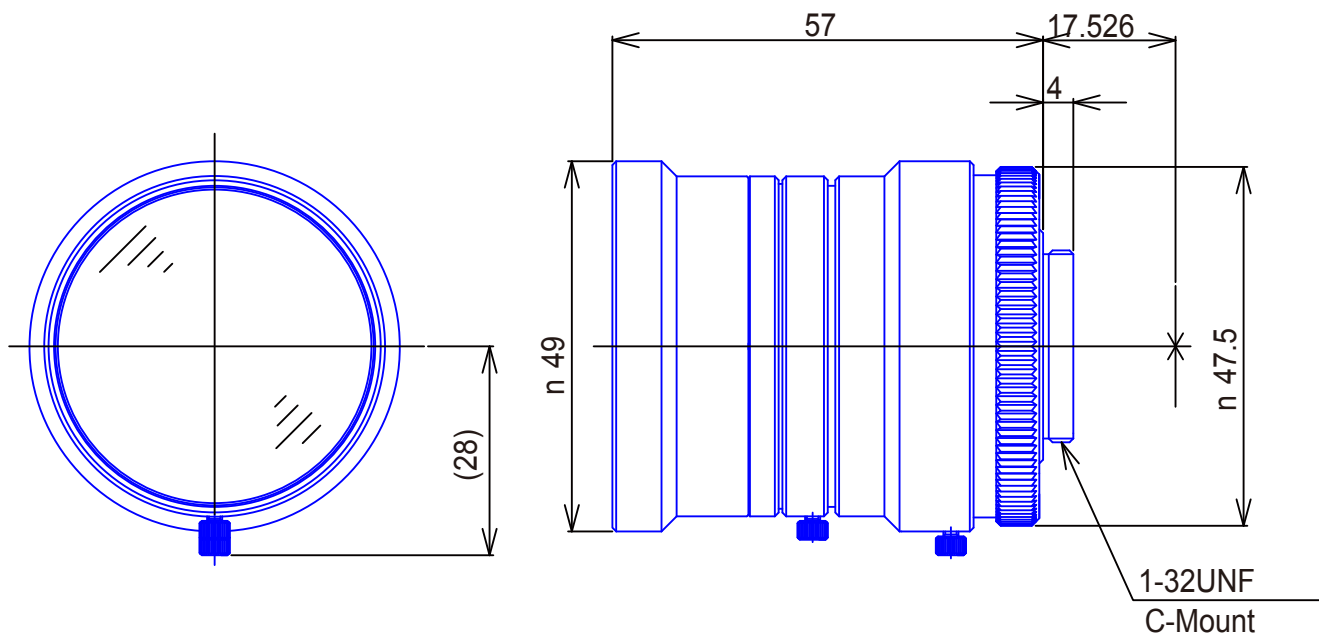


1inch Format High Resolution Lenses

Item No. GMHR47518MCN-1

ITEM NO.		GMHR47518MCN-1
Focal Length		75.0 (mm)
Iris Range		F1.8 - 16
Angle of View (H x V x D)	1"	9.7° x 7.3° x 12.0°
MOD		1.0 (m)
Filter Thread		M=46.0 , P=0.75
Dimension (D x L)		Ø49 x 57 (mm)
Weight		180 (g)