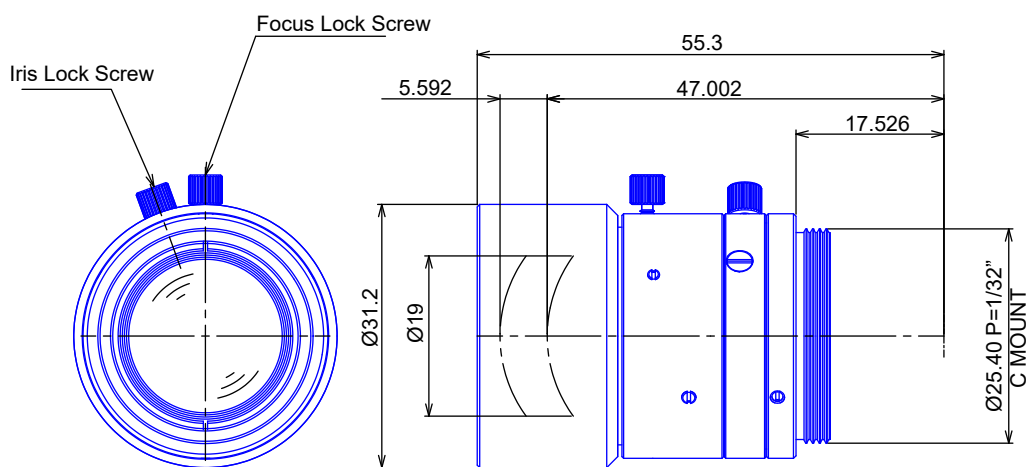


2/3inch format High Resolution Megapixel Lenses

Item No. GMHR35028MCN-2

ITEM NO.		GMHR35028MCN-2
Focal Length		50 (mm)
Iris Range		F2.8 - Close
Angle of View (H x V x D)	2/3"	10° x 7.5°
MOD		0.5 (m)
Filter Thread		M25.5, P=0.5
Dimension (D x L)		Ø29 x 30 (mm)
Weight		- (g)
Notes		3 Megapixel