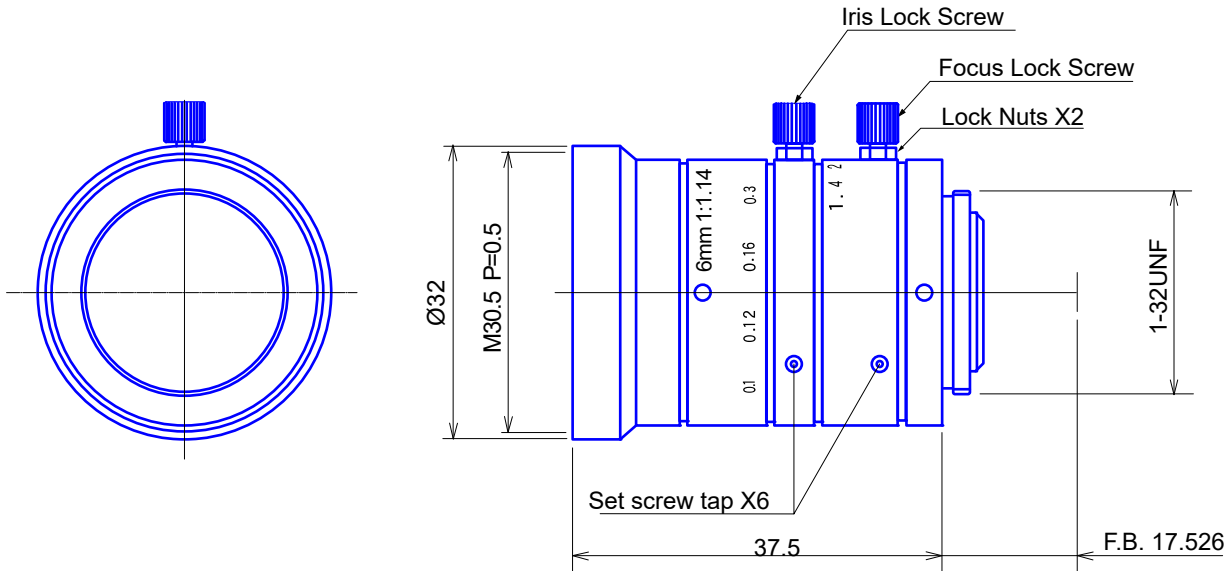


High Resolution Lenses

Item No. GMHR26014MCN-1



ITEM NO.	GMHR26014MCN-1
Focal Length	6 (mm)
Iris Range	F1.4 - 16
Angle of View (H x V x D) 1/2"	57.4° x 44.3° x 72.9°
MOD	0.2 (m)
Filter Thread	M=30.5 , P=0.5
Dimention (D x L)	Ø34 x 16 (mm)
Weight	110 (g)