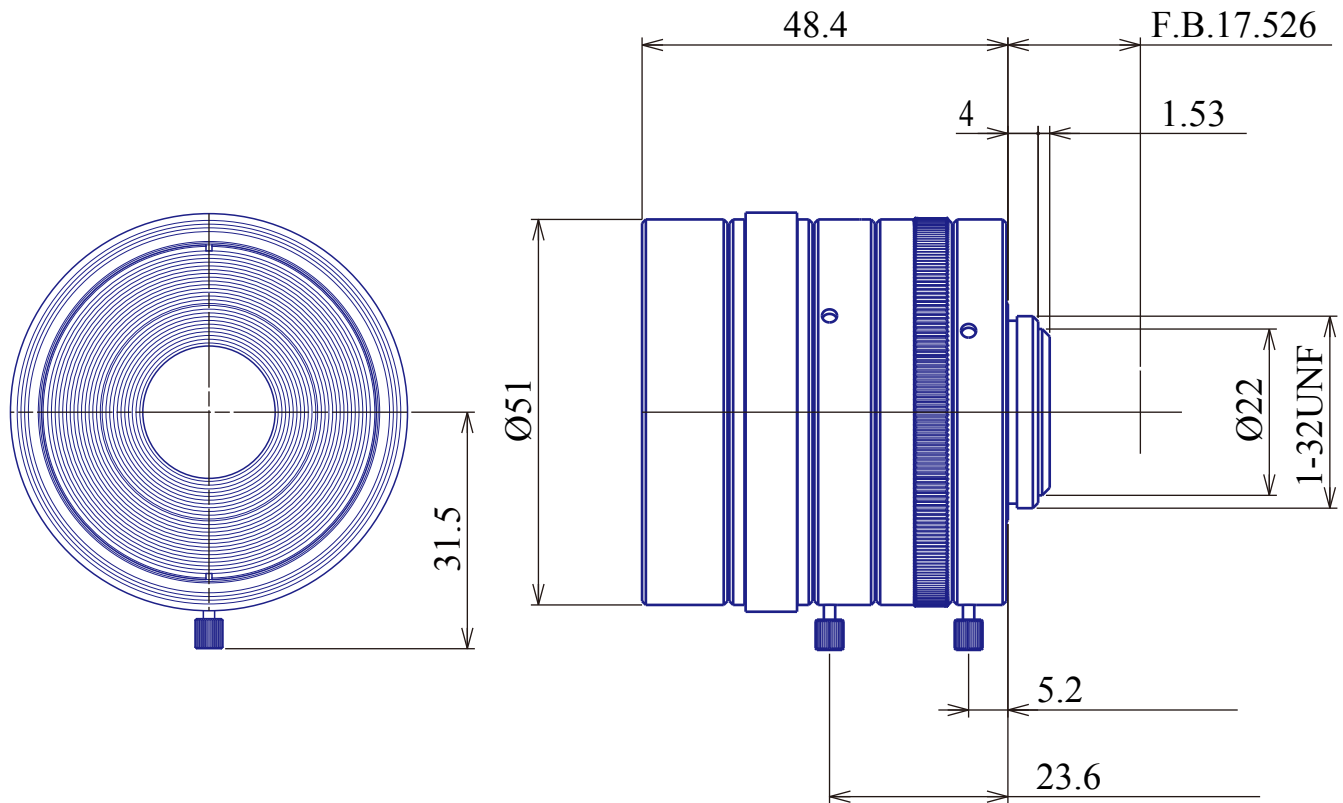


**2/3inch Format****High resolution 5 Megapixel Lenses****Item No.GMA5HR38028MCN**

ITEM NO.		GMA5HR38028MCN
Focal Length		8 (mm)
Iris Range		F2.8 - 22
Angle of View (H x V x D)	2/3"	57°9' x 45°0'
MOD		0.1 (m)
Filter Thread		M=49, P=0.75
Dimention (D x L)		Ø51 x 48.5 (mm)
Weight		210 (g)

**GOYO OPTICAL Inc.,**

3-8-31 HAMASAKI, ASAKA, SAITAMA 351-0033, JAPAN,  
 TEL:+81-48-474-2235 FAX:+81-48-474-7373  
<http://www.goyooptical.com> E-MAIL:info@goyooptical.com