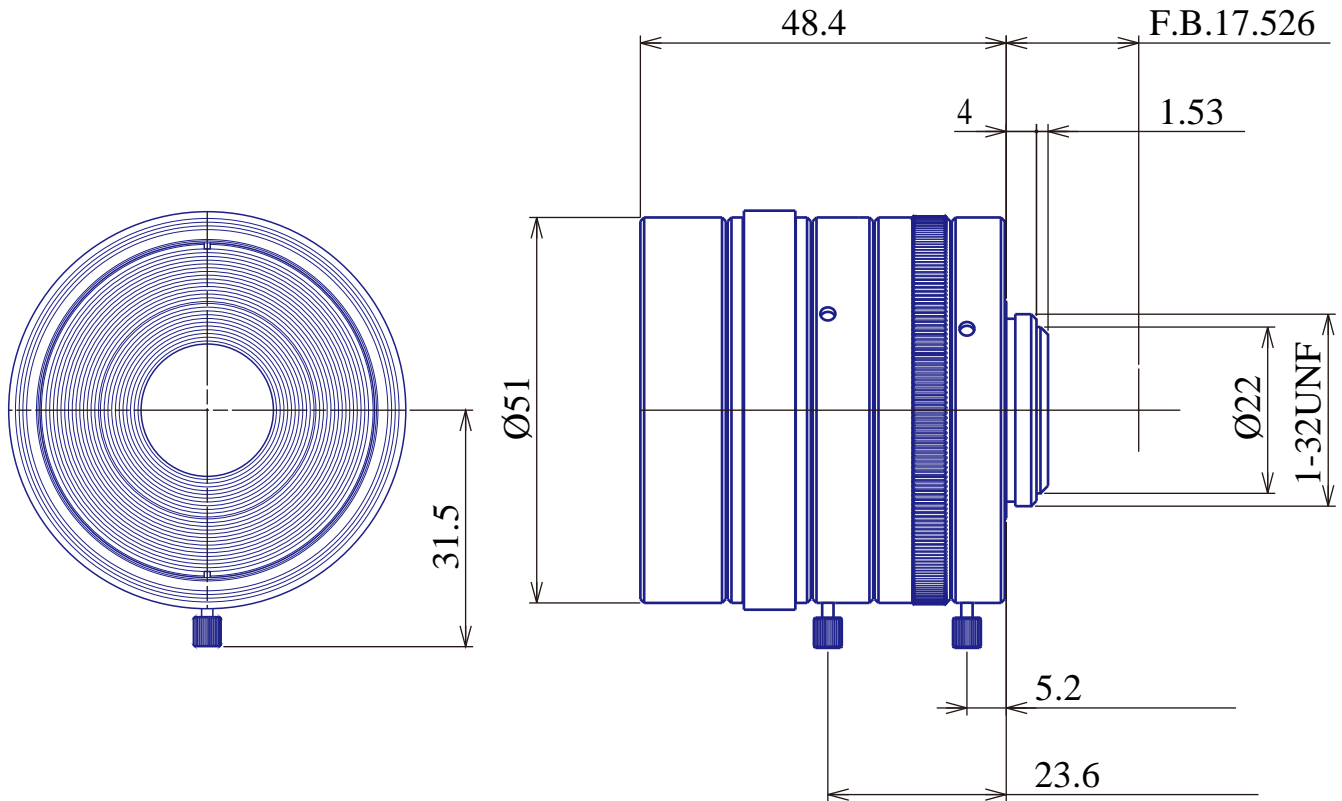


SWIR Lenses

Item No. GMA5HR38028MCN-SWIR

| ITEM NO. | | GMA5HR38028MCN-SWIR |
|------------------------------|------|---------------------|
| Focal Length | | 8 (mm) |
| Iris Range | | F2.8 - 22 |
| Angle of View (H x V x D) | 2/3" | 57°9' x 45°0' |
| MOD | | 0.1 (m) |
| Filter Thread | | M=49 , P=0.75 |
| Dimention (D x L) | | Ø51 x 48.5 (mm) |
| Weight | | 210 (g) |