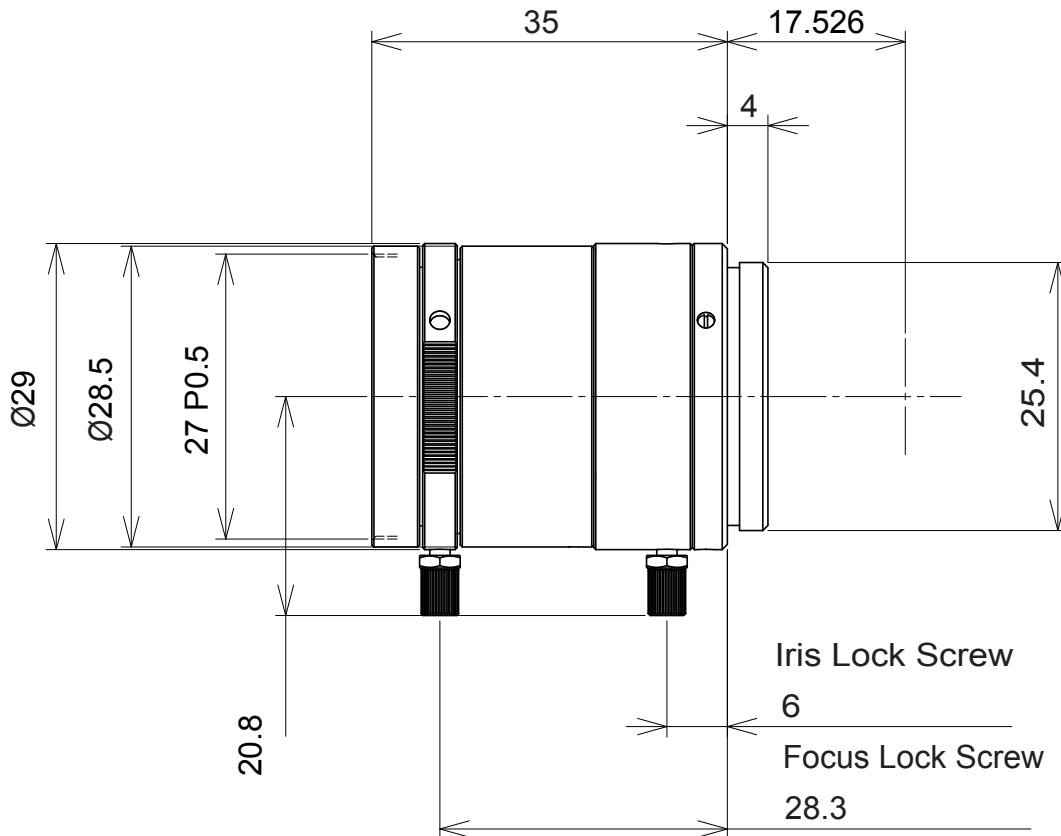


2/3Inch Format High Resolution 8 Megapixel Lenses

Item No. GM8HR31624MCN



| ITEM NO. | | GM8HR31624MCN |
|------------------------------|------|----------------------------|
| Focal Length | | 16 (mm) |
| Iris Range | | F2.4 - 22 |
| Angle of View (H x V x D) | 2/3" | 30.8° x 23.3° x 37.9° |
| MOD | | 0.1 (m) |
| Filter Thread | | M27 , P=0.5 |
| Dimension (D x L) | | $\varnothing 29$ x 35 (mm) |
| Weight | | 50 (g) |
| Notes | | 8 Megapixel |