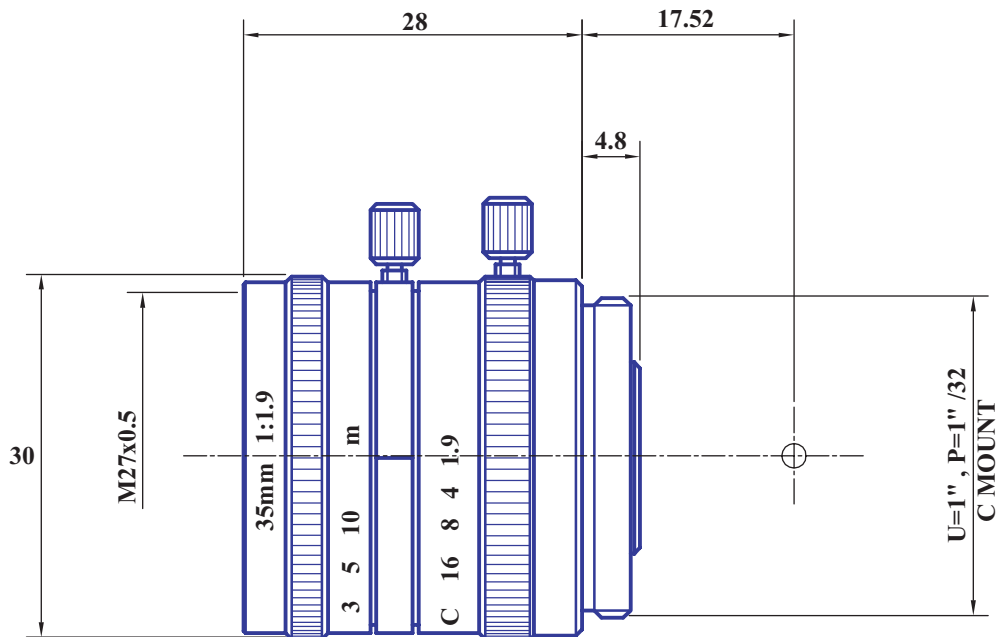


## Manual Lenses

## Item No. GM33519MCN



ITEM NO.		GM33519MCN	
Focal Length		35.0	(mm)
Iris Range		F1.9 - Close	
Angle of View (H x V x D)	1/2"	10.50° x 7.90° x 13.10°	
	2/3"	14.40° x 10.80° x 17.90°	
MOD		0.5	(m)
Filter Thread		M=27.0, P=0.5	
Dimension (D x L)		Ø30 x 28.0	(mm)
Weight		50	(g)