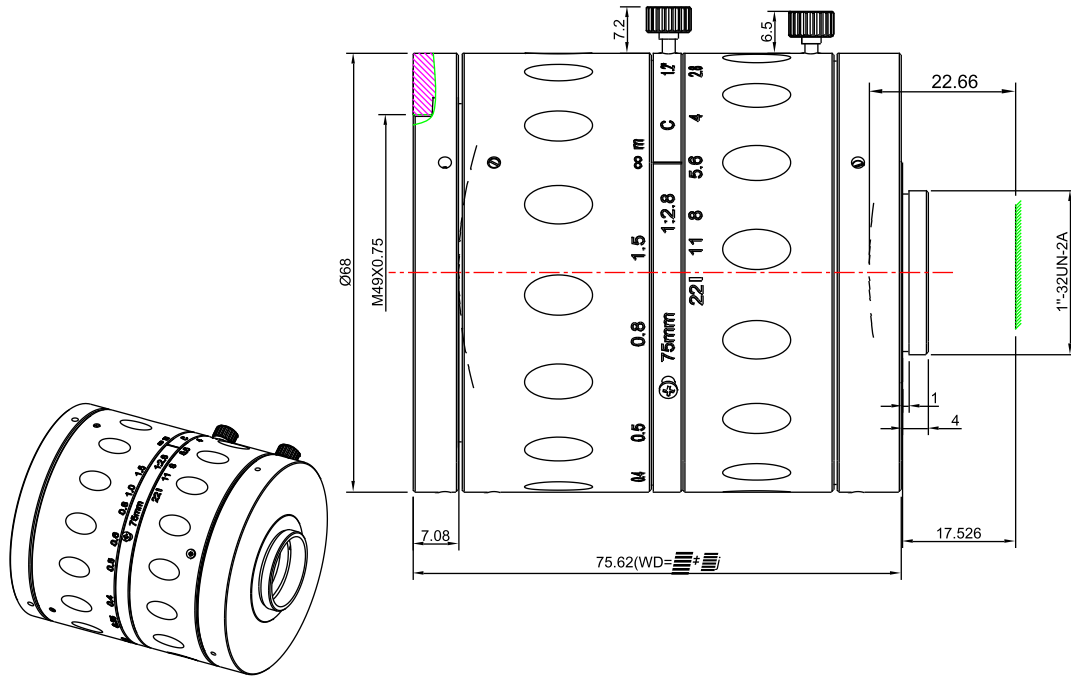


**Industrial Lens**

**1.2inch Format**

**High resolution 25 Megapixel Lenses**

**Item No. GM25HR127524MCN**



ITEMNO.		GM25HR127524MCN
Focal Length		75 (mm)
Iris Range		F2.4 - 22
Angle of View (H x V)	1.2"	9.9° x 8.5°
MOD		0.25 (m)
Filter Thread		M=49mm , P=0.75
Dimension (D x L)		Ø68x76 (mm)
Weight		640 (g)
Notes		

**GOYO OPTICAL Inc.,**

3-8-31 HAMASAKI, ASAKA, SAITAMA 351-0033, JAPAN,  
 TEL:+81-48-474-2235 FAX:+81-48-474-7373  
<http://www.goyooptical.com> E-MAIL:info@goyooptical.com