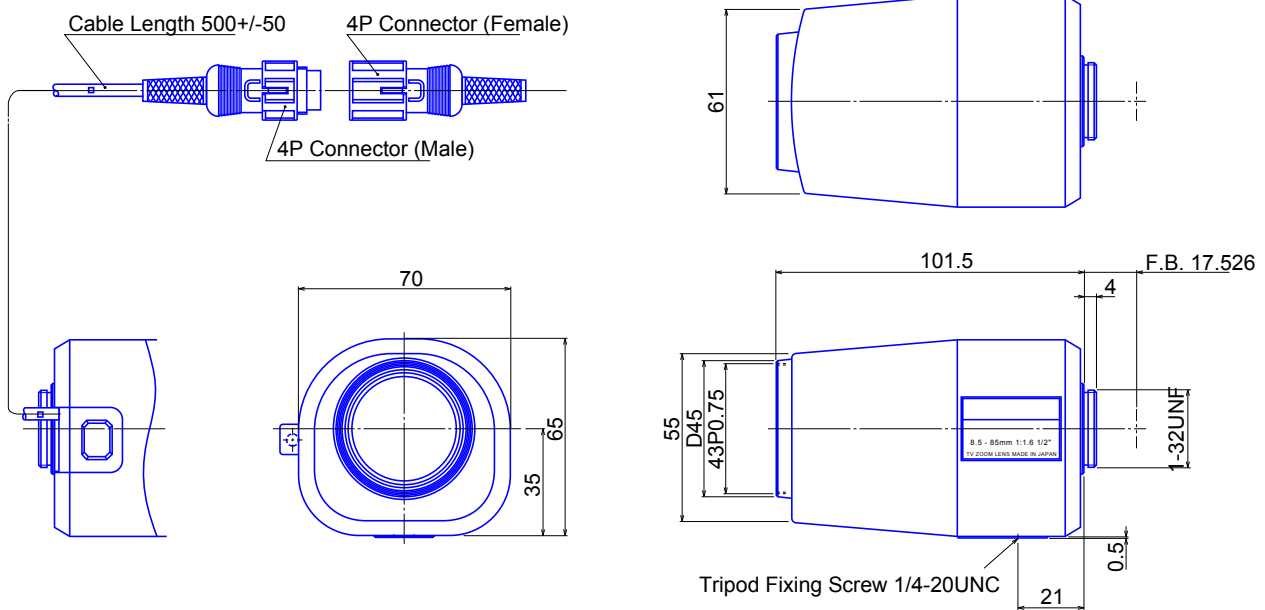


## Three Motorized Zoom Lenses

(Motorized Zoom , Motorized Iris , Motorized Focus)

**Item No. GAZ858516M**

ITEM NO.		GAZ858516M	
Focal Length		8.5 - 85 (mm)	
Iris Range		F1.6 - Close	
Angle of View (H x V x D)	1/2"	41.3° x 31.5° x 52.4°	
		- 4.3° x 3.2° x 5.2°	
MOD		1.2 (m)	
Filter Thread		M43, P=0.75	
Dimension (W x H x L)		70 x 65 x 102 (mm)	
Weight		280 (g)	
Notes		C Mount	