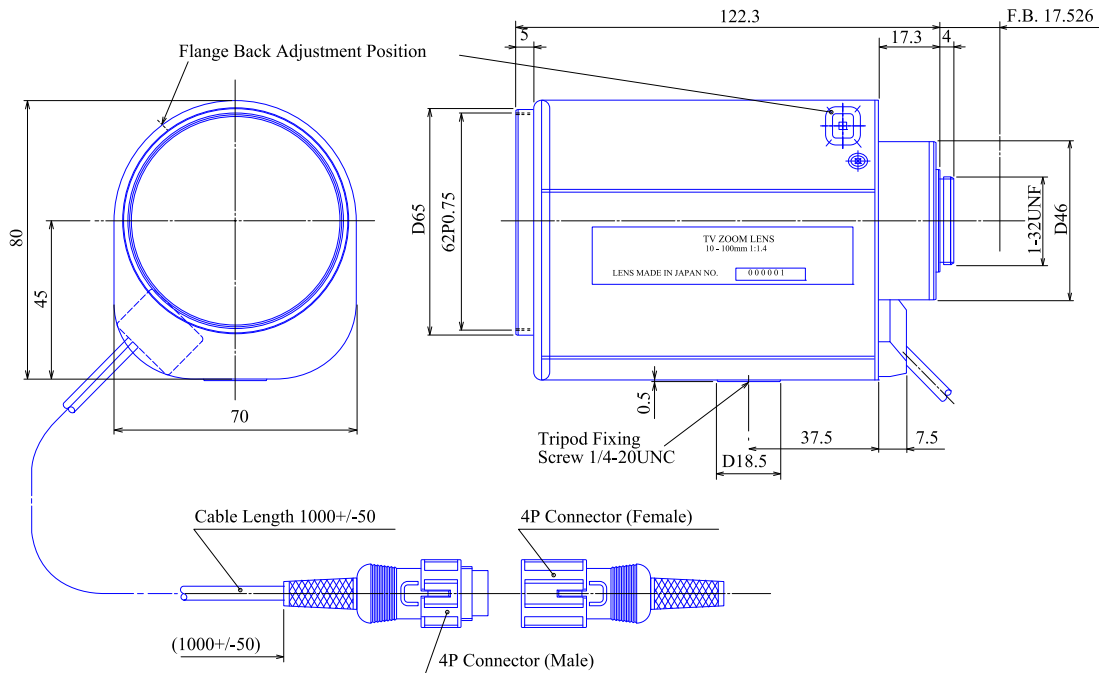


Three Motorized Zoom Lenses

(Motorized Zoom , Motorized Iris , Motorized Focus)

Item No. GAZ10100M-S



ITEM NO.		GAZ10100M	
Focal Length		10 - 100	(mm)
Iris Range		F1.4 - Close	
Angle of View (H x V x D)	2/3"	47.5° x 36.5° - 5.0° x 3.8°	
MOD		1.2	(m)
Filter Thread		M=62 , P=0.75	
Dimention (W x H x L)		80 x 70 x 125	(mm)
Weight		700	(g)