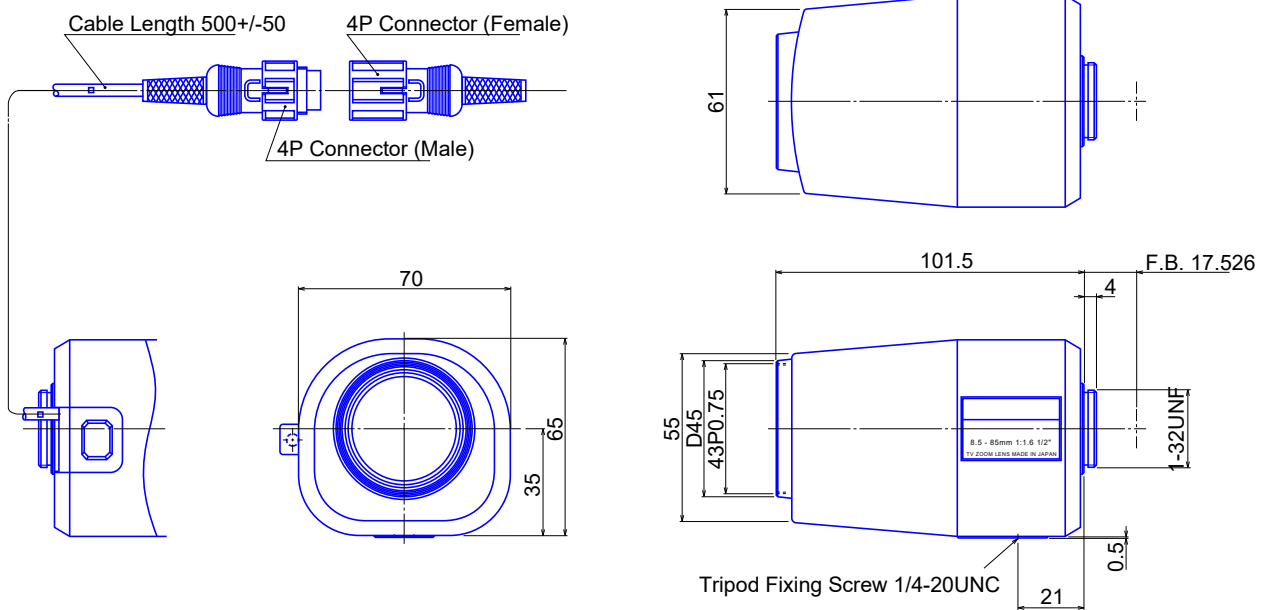


1/2inch format Motorized Zoom Lenses

(Motorized Zoom , Video Drive Auto Iris , Motorized Focus)

Item No.GAZ858516



| ITEM NO. | | GAZ858516 | |
|---------------|------|-----------------------|--|
| Focal Length | | 8.5 - 85 (mm) | |
| Iris Range | | F1.6 - 360 | |
| Angle of View | 1/2" | 41.3° x 31.5° x 52.4° | |
| | | - 4.3° x 3.2° x 5.2° | |
| MOD | | 1.2 (m) | |
| Dimention | | M43 , P=0.75 | |
| Weight | | 70 x 65 x 102 (mm) | |
| Mount | | 280 (g) | |
| Note | | C Mount | |

GOYO OPTICAL Inc., Japanese Office

3-8-31 HAMASAKI, ASAKA, SAITAMA 351-0033, JAPAN,
 TEL:+81-48-474-2235 FAX:+81-48-474-7373
 E-MAIL:info@goyooptical.com