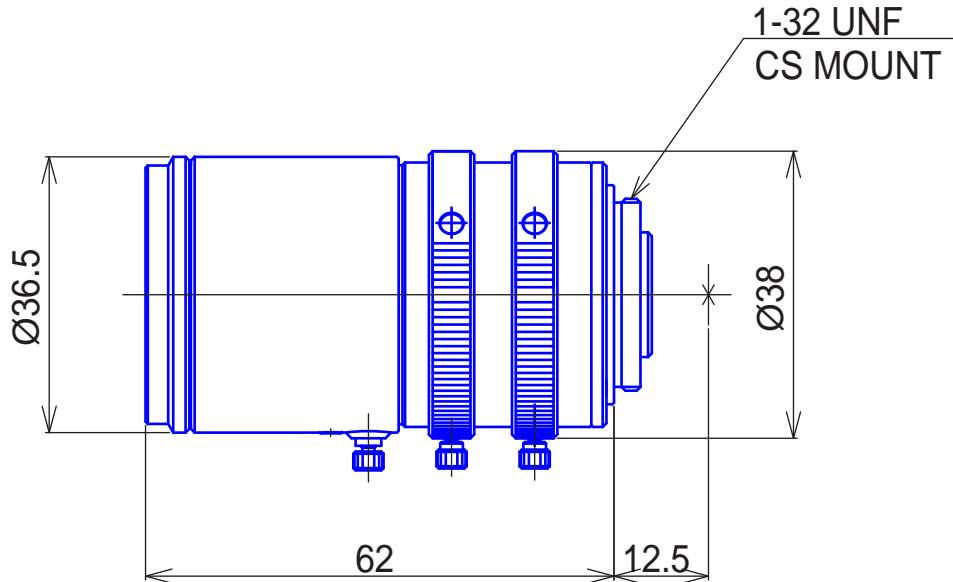


1/2inch Format Megapixel Lenses

Item No.GMMPDN29020S



ITEM NO.		GMMPDN29020S
Focal Length		9 - 20 (mm)
Iris Range		F1.6 - 22
Angle of View	1/2"	42.3° x 30.9° x 55° 18.7° x 13.9° x 23.4°
MOD		0.3 (m)
Dimention		Ø36.5 x 62 (mm)
Weight		100 (g)
Mount		CS
Note		3Megapixel, Aspherical Day&Night, Manual Iris

GOYO OPTICAL Inc., Japanese Office

3-8-31 HAMASAKI, ASAKA, SAITAMA 351-0033, JAPAN,
 TEL:+81-48-474-2235 FAX:+81-48-474-7373
 E-MAIL:info@goyooptical.com