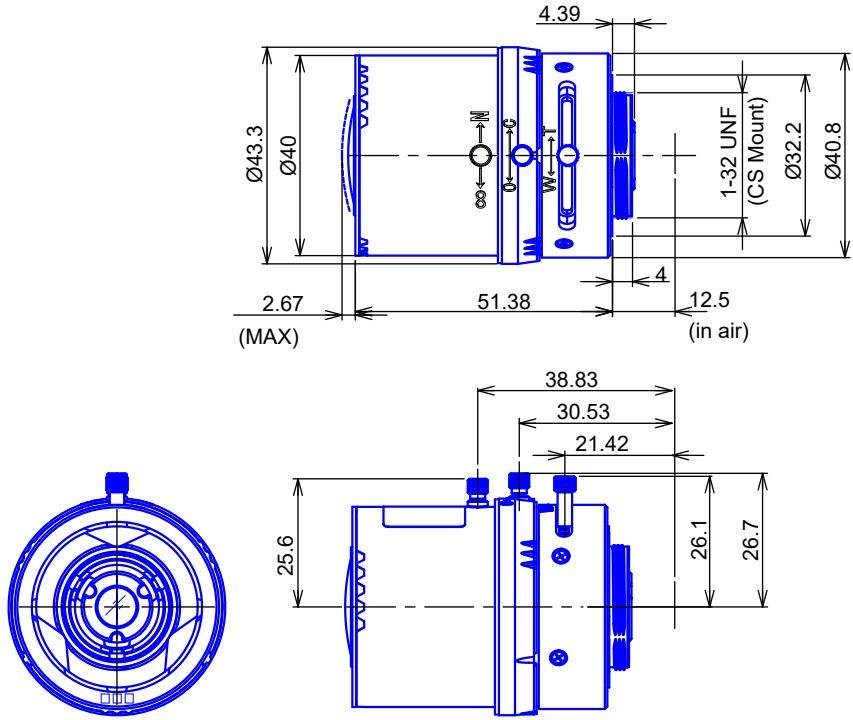


1/2.7" Megapixel Day&Night Lenses

Item No. GM3MPDN272880S



| ITEM NO. | | GM3MPDN272880S |
|---------------|--------|---------------------------------|
| Focal Length | | 2.8 - 8 (mm) |
| Iris Range | | F1.2 - Close |
| Angle of View | 1/2.7" | 124.3° x 65.2° - 43° x 24.2° |
| MOD | | 0.3 (m) |
| Dimention | | Ø43.2 x 55 (mm) |
| Weight | | 65 (g) |
| Mount | | CS |
| Note | | 3megapixel, Day&Night, |

GOYO OPTICAL Inc., Japanese Office

3-8-31 HAMASAKI, ASAKA, SAITAMA 351-0033, JAPAN,
 TEL:+81-48-474-2235 FAX:+81-48-474-7373
 E-MAIL:info@gyooptical.com