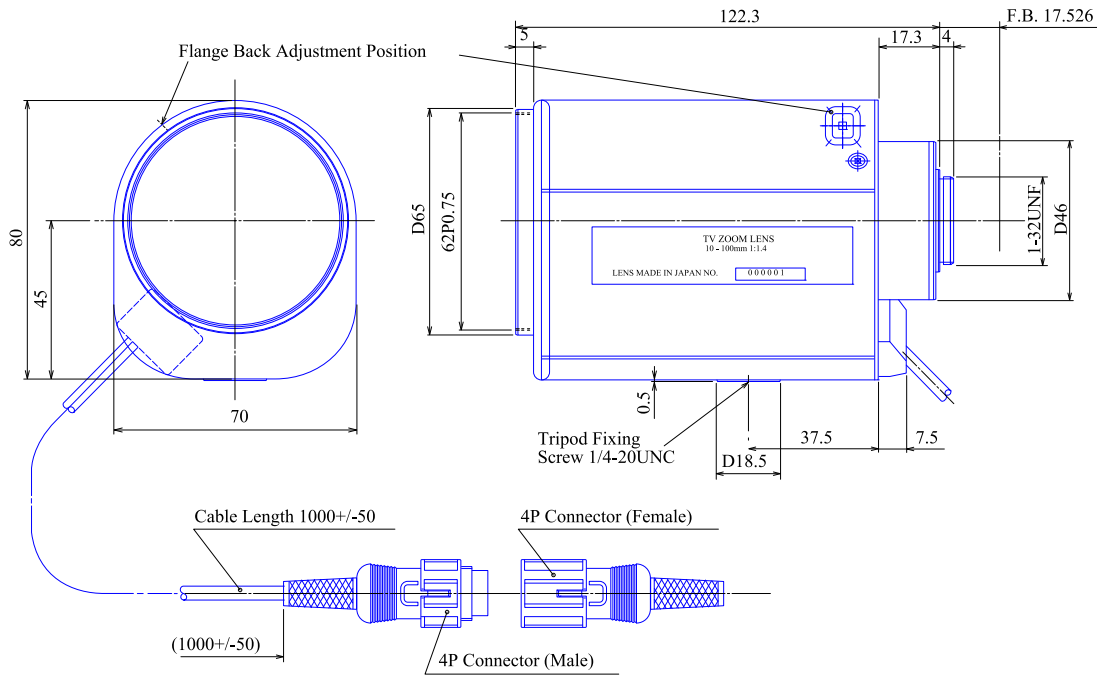


Megapixel Three Motorized Zoom Lenses

**Item No. GAZMP310100M**



ITEM NO.		GAZMP310100M
Focal Length		10 - 100 (mm)
Iris Range		F1.4 - Close
Angle of View (H x V x D)	2/3"	47.5° x 36.5° - 5.0° x 3.8°
MOD		1.2 (m)
Dimention (W x H x L)		80 x 70 x 125 (mm)
Weight		700 (g)
Mount		Megapixel, DC-Drive&Video Drive available

**GOYO OPTICAL Inc.,** Japanese Office

3-8-31 HAMASAKI, ASAKA, SAITAMA 351-0033, JAPAN,  
 TEL:+81-48-474-2235 FAX:+81-48-474-7373  
 E-MAIL:info@goyooptical.com