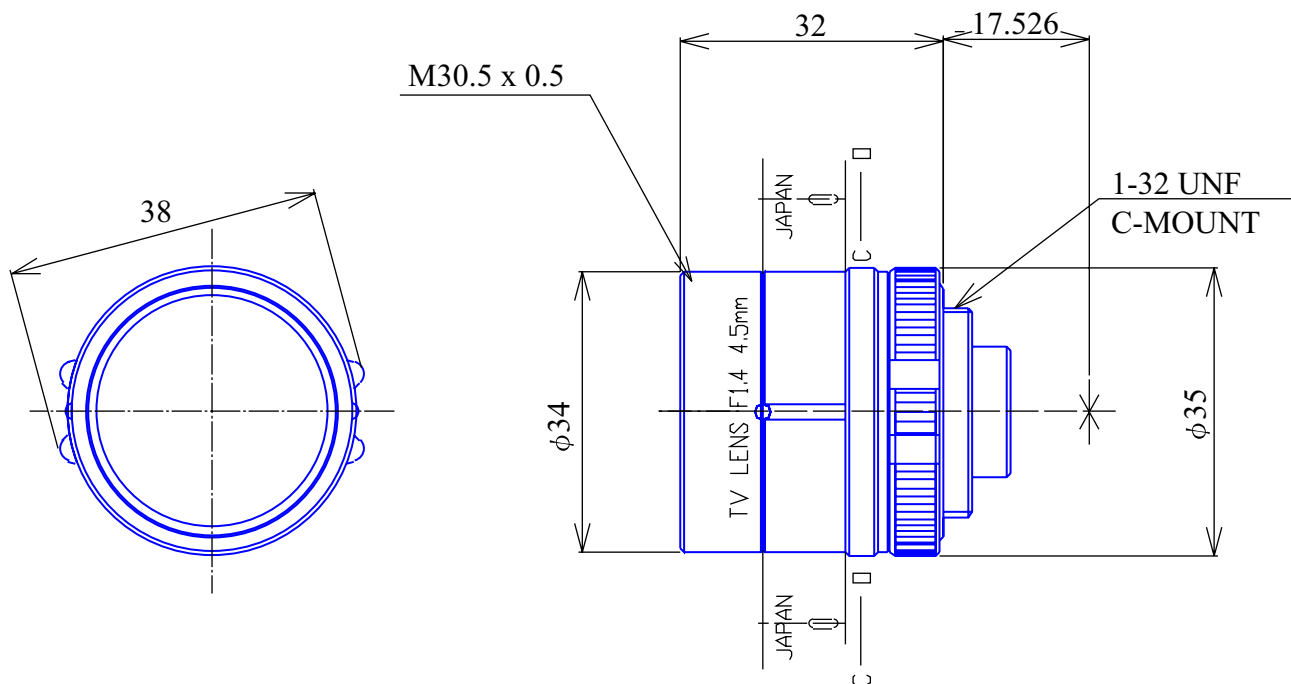


1/2" Format Manual Iris Lenses

Item GM24514C



ITEM NO.		GM24514C	
Focal Length		4.5	(mm)
Iris Rnage		F1.4 - Close	
Angle of View (H x V)	1/2"	79.0° x 59.4°	
MOD		0.2	(m)
Dimention		35 x 32	(mm)
Weight		66	(g)
Mount		C	
Notes		-	

GOYO OPTICAL Inc.,

Japanese Office

3-8-31 HAMASAKI,
 ASAKA,
 SAITAMA 351-0033,
 JAPAN,
 TEL:048-474-2235
 FAX:048-474-7373
 E-MAIL:info@goyooptical.com

German Office

KURHAUSSTR,3
 ROOM N'19
 D-55543 BAD KREUZNACH
 GERMANY
 TEL:0671-4822255
 FAX:0671-43603
 E-MAIL:info@goyooptical.com