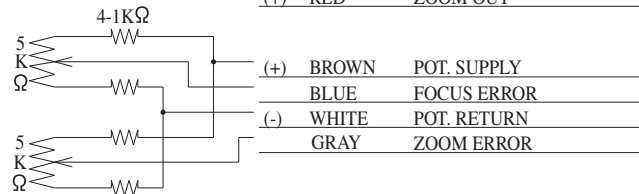


① IRIS CABLE	(+)	RED	INPUT VOLTAGE
	(-)	BLACK	GROUND
		WHITE	VIDEO SIGNAL
		GREEN	MANUAL OVERRIDE REMOTE CONTROL
1V - 5.5V			

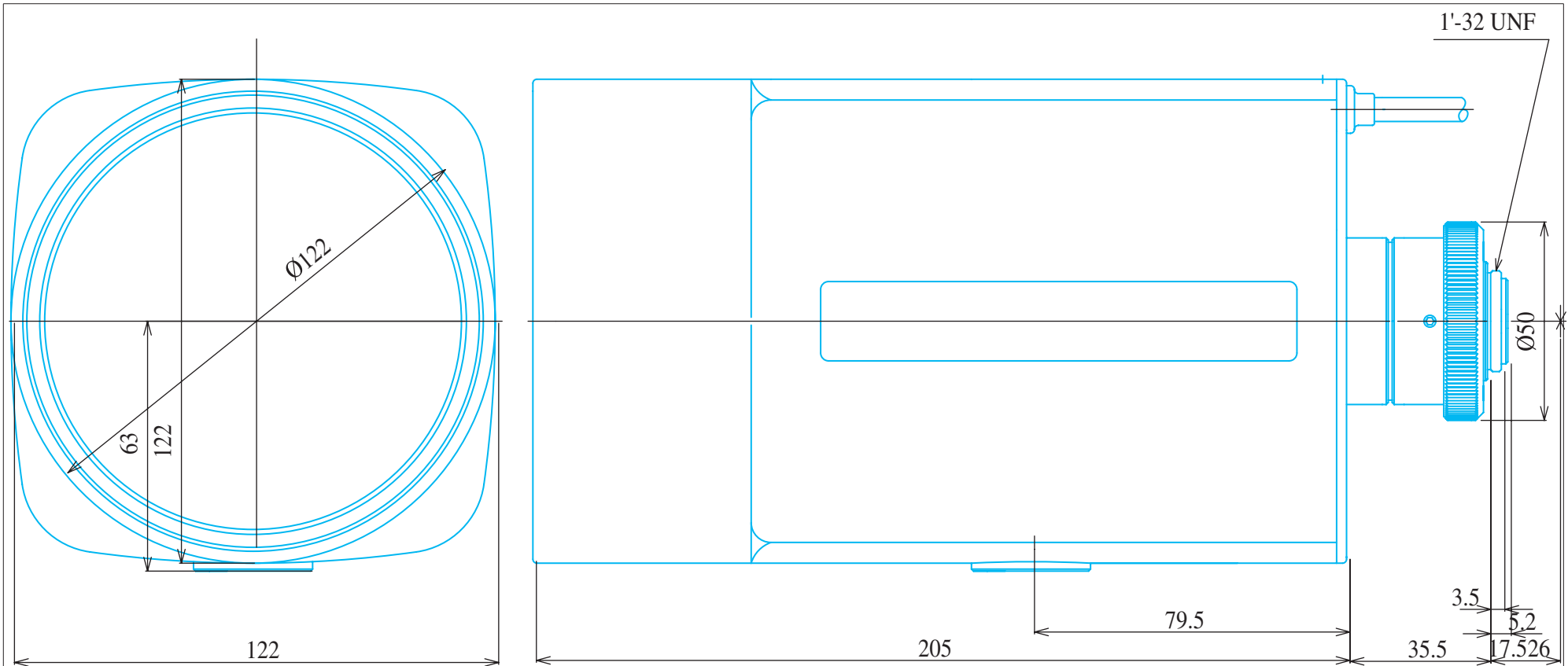
② MOTOR CABLE	(+)	GREEN	FOCUS NEAR
	(+)	BLACK	FOCUS FAR
	(+)	YELLOW	ZOOM IN
	(+)	RED	ZOOM OUT



SPECIFICATION

1.	USE	FOR 1/2" COLOR, B/W CAMERA	
2.	FOCAL LENGTH	f=10 - 250 mm	
3.	IRIS MAX APERTURE	F=1.5 W	T2.2
4.	IRIS RANGE	F=1.5 - 125	
5.	IMAGE SIZE	f=8 (6.4 x 4.8)	
6.	BACK FOCAL LENGTH	12.93	mm in air
7.	FLANGE FOCAL LENGTH	17.526	mm in air
8.	FOCUS RANGE	2.5 m	
9.	FIELD ANGLE	DIA.	(W) 43.7 (T) 1.86
		HOL.	35.3 1.49
		VER.	26.7 1.12
10.	FIELD OF VIEW AT M.O.D.	DIA.	1427 mm 59.9 mm
		HOL.	1143 mm 48.1 mm
		VER.	857 mm 36.2 mm
11.	DISTORTION TV	-0.1 %	0.36 %
12.	CLEAR APERTURE	FRONT 108	REAR 14.3
13.	EXIT PUPIL POSITION	-175 mm	(format)
14.	WEIGHT	2.3kg	

GAZ10250



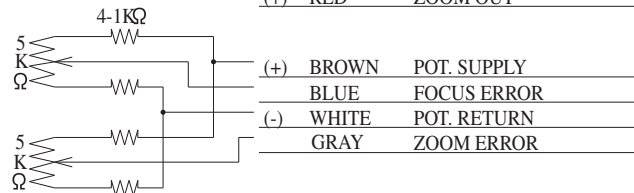
DC (DIRECT CONTROL)

DRIVE	RESISTOR	190	(20)
COIL	COLOR	RED(+)	BLACK
BRAKE	RESISTOR	1150	(20)
COIL	COLOR	YELLOW(+)	GREEN
DRIVE VOLT.	OPEN	LESS THAN +4V	
	CLOSE	OVER THAN 0V	
		W/CLOSING SPRING	

① IRIS CABLE

(+)	GREEN	FOCUS NEAR
(+)	BLACK	FOCUS FAR
(+)	YELLOW	ZOOM IN
(+)	RED	ZOOM OUT

② MOTOR CABLE



SPECIFICATION

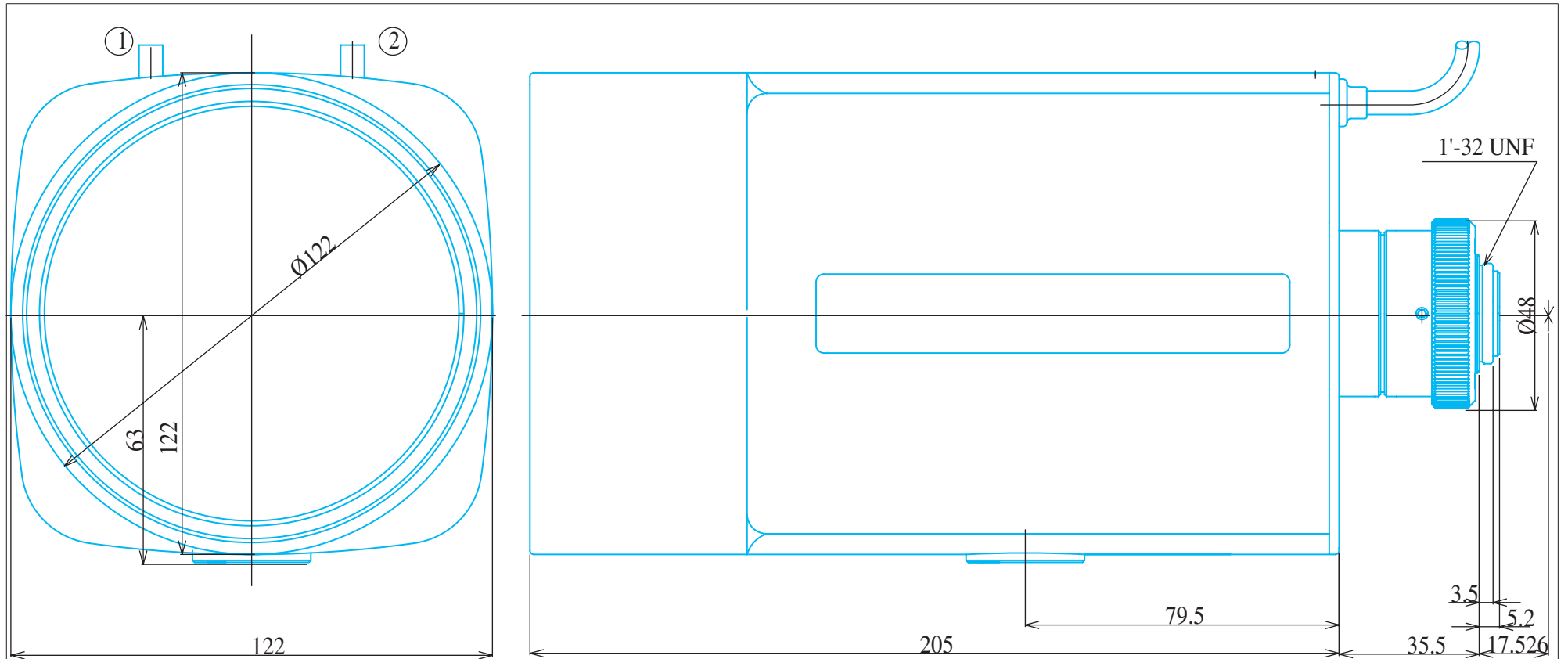
1.	USE	FOR 1/2" COLOR B/W CAMERA		
2.	FOCAL LENGTH	f=	10 - 250	mm
3.	IRIS MAX APERTURE	F=	W 1.5	T 2.2
4.	IRIS RANGE	F=1.5 - 360		
5.	IMAGE SIZE	f 8 (6.4 x 4.8)		
6.	BACK FOCAL LENGTH	12.93	mm in air	
7.	FLANGE FOCAL LENGTH	17.526	mm in air	
8.	FOCUS RANGE	2.5 m		
9.	FIELD ANGLE	DIA.	(W) 43.7	(T) 1.86
		HOL.	35.3 1.49	
		VER.	26.7 1.12	
10.	FIELD OF VIEW AT M.O.D.	DIA.	1427	mm 59.9
		HOL.	1143	mm 48.1
		VER.	857	mm 36.2
11.	DISTORTION	TV	-0.1	% 0.36
12.	CLEAR APERTURE	FRONT	108	REAR 14.3
13.	EXIT PUPIL POSITION	-175 mm (format)		
14.	WEIGHT	2.3kg		

1 2

MOTOR

INPUT VOLT	DC 6V - 12V
ZOOM SPEED	approx 7.0sec/DC8V
ZOOM CURRENT	max 25mA/DC8
FOCUS SPEED	approx 7.5sec/DC8V
FOCUS CURRENT	max 25mA/DC8
OPERATE TEMPT	-10 + 50

GAZ10250



② MOTOR CABLE	
(+) GREEN	FOCUS NEAR
(+) BLACK	FOCUS FAR
(+) YELLOW	ZOOM IN
(+) RED	ZOOM OUT
(+) WHITE	IRIS OPEN
(+) BROWN	IRIS CLOSE

① POT. CABLE	
F. POT. 4-1KΩ	
5	—
K	—
Ω	—
Z. POT.	
5	—
K	—
Ω	—
(+) BROWN	FOCUS SUPPLY
BLUE	FOCUS ERROR
(-) WHITE	FOCUS RETURN
(+) ORANGE	ZOOM SUPPLY
GRAY	ZOOM ERROR
(-) PURPLE	ZOOM RETURN

SPECIFICATION

1.	USE	FOR 1/2" COLOR_B/W CAMERA	
2.	FOCAL LENGTH	f= 10 - 250 mm	
3.	IRIS MAX APERTURE	F= W 1.5 T 2.2	
4.	IRIS RANGE	F=1.5 - 360	
5.	IMAGE SIZE	f 8 (6.4 x 4.8)	
6.	BACK FOCAL LENGTH	12.93 mm in air	
7.	FLANGE FOCAL LENGTH	17.526 mm in air	
8.	FOCUS RANGE	2.5 m	
	FIELD ANGLE	DIA. (W)43.7	(T) 1.86
		HOL. 35.3	1.49
9.		VER. 26.7	1.12
	FIELD OF VIEW AT M.O.D.	DIA. 1427 mm	59.9 mm
		HOL. 1143 mm	48.1 mm
		VER. 857 mm	36.2 mm
11.	DISTORTION TV	-0.1 % 0.36 %	
12.	CLEAR APERTURE	FRONT 108	REAR 14.3
13.	EXIT PUPIL POSITION	-175 mm (format)	
14.	WEIGHT	2.3kg	

GAZ10250
