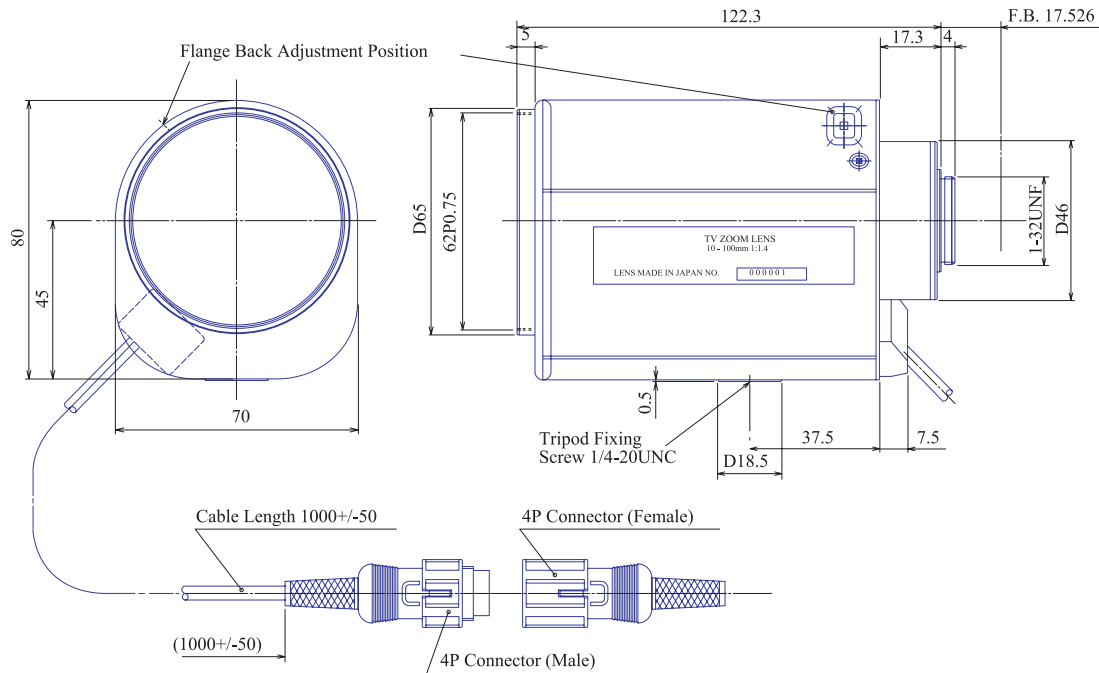


### 2/3inch Format Motorized Zoom Lenses

## Item No. GAZ10100



| ITEM NO.                     |      | GAZ10100                    |      |
|------------------------------|------|-----------------------------|------|
| Focal Length                 |      | 10 - 100                    | (mm) |
| Iris Range                   |      | F1.4 - 1200                 |      |
| Angle of View<br>(H x V x D) | 2/3" | 47.5° x 36.5° - 5.0° x 3.8° |      |
| MOD                          |      | 1.2                         | (m)  |
| Dimention (W x H x L)        |      | 80 x 70 x 125               | (mm) |
| Weight                       |      | 700                         | (g)  |
| Mount                        |      | C                           |      |

### GOYO OPTICAL Inc.

#### Japanese Office

3-8-31 HAMAZAKI,  
 ASAKA,  
 SAITAMA 351-0033,  
 JAPAN,  
 TEL:048-474-2235  
 FAX:048-474-7373  
 E-MAIL:info@goyooptical.com

#### German Office

KURHAUSSTR,3  
 ROOM N'19  
 D-55543 BAD KREUZNACH  
 GERMANY  
 TEL:0671-4822255  
 FAX:0671-43603  
 E-MAIL:info@goyooptical.com